

JET

JWBS-15
JWBS-18
JWBS-20

WOOD BAND SAW

Original:

GB
Operating Instructions

Translations:

D
Gebrauchsanleitung

F
Mode d'emploi



JPW (Tool) AG

Tämperlistrasse 5
CH-8117 Fällanden
Switzerland

Phone +41 44 806 47 48

Fax +41 44 806 47 58



www.jettools.com

M- 714600M, 714650T, 714700M, 714750T, 714800M, 714850T

2017-12

**CE-Conformity Declaration
CE-Konformitätserklärung
Déclaration de Conformité CE**

Product / Produkt / Produit:

Band saw / Bandsäge / Scie à ruban

JWBS-15 (714600M, 714650T)

JWBS-18 (714700M, 714750T)

JWBS-20 (714800M, 714850T)

Brand / Marke / Marque:

JET

Manufacturer / Hersteller / Fabricant:

JPW (Tool) AG, Tämperlistrasse 5, CH-8117 Fällanden
Switzerland / Schweiz / Suisse

We hereby declare that this product complies with the regulations
Wir erklären hiermit, dass dieses Produkt der folgenden Richtlinie entspricht
Par la présente, nous déclarons que ce produit correspond aux directives suivantes

2006/42/EC

Machinery Directive / Maschinenrichtlinie / Directive Machines

2014/30/EU

electromagnetic compatibility / elektromagnetische Verträglichkeit / compatibilité électromagnétique

designed in consideration of the standards
und entsprechend folgender zusätzlicher Normen entwickelt wurde
et été développé dans le respect des normes complémentaires suivantes

EN ISO 12100:2010, EN 60204-1:2006+AC:2010, EN 1807-1:2013

EC type examination performed by / EG-Baumusterprüfung durchgeführt von / examen CE de type par
**UDEM International Certification Auditing Training Centre Industry and Trade Co. Ltd.,
Mutlukent Mahallesi 2073 Sokak No:10 Cankaya - Ankara - Turkey (notified body No: 2292)**

certificate number / Zertifikat Nummer/ numéro de certificat

M.2016.103.6984

Responsible for the Documentation / Dokumentations-Verantwortung / Responsabilité de Documentation:

Hansjörg Meier

Head Product-Mgmt. / Leiter Produkt-Mgmt. / Resp. Gestion des Produits

JPW (Tool) AG



2017-11-10 Jan Dätwyler, General Manager

JPW (Tool) AG, Tämperlistrasse 5, CH-8117 Fällanden
Switzerland / Schweiz / Suisse

GB - ENGLISH

Operating Instructions

Dear Customer,

Many thanks for the confidence you have shown in us with the purchase of your new JET-machine. This manual has been prepared for the owner and operators of a **JET JWBS-15, JWBS-18, JWBS-20** band saw to promote safety during installation, operation and maintenance procedures. Please read and understand the information contained in these operating instructions and the accompanying documents. To obtain maximum life and efficiency from your machine, and to use the machine safely, read this manual thoroughly and follow instructions carefully.

...Table of Contents

1. Declaration of conformity

2. Warranty

3. Safety

Authorized use

General safety notes

Remaining hazards

4. Machine specifications

Machine description

Technical data

Noise emission

Dust emission

Contents of delivery

5. Transport and start up

Transport and installation

Assembly

Mains connection

Dust connection

Starting operation

6. Machine operation

7. Setup and adjustments

Saw blade selection

Changing the saw blade

Blade tracking adjustment

Blade tension adjustment

Blade guide adjustment

Blade speed adjustment

Folding the bandsaw blade

8. Maintenance and inspection

9. Troubleshooting

10. Environmental protection

11. Available accessories

12. „Safe operation“ appendix A

1. Declaration of conformity

On our own responsibility we hereby declare that this product complies with the regulations* listed on page 2. Designed in consideration with the standards**. CE type examination*** performed by****.

2. Warranty

JPW (Tool) AG guarantees that the supplied product is free from material defects and manufacturing faults.

This warranty does not cover any defects which are caused, either directly or indirectly, by incorrect use, carelessness, accidental damage, repair, inadequate maintenance or cleaning and normal wear and tear.

Any warranty details (i.e. warranty period) can be found in the General Terms and Conditions (GTC) that are integral part of the contract. These GTC can be viewed at the website of your dealer or sent to you upon request.

JPW (Tool) AG reserves the right to make changes to the product and accessories at any time.

3. Safety

3.1 Authorized use

This machine is designed for sawing wood, wood derived materials as well as similar to be machined hard plastics only. Machining of other materials is not permitted and may be carried out in specific cases only after consulting with the manufacturer.

No metal workpieces may be machined.

The workpiece must allow to safely be loaded, supported and guided.

The proper use also includes compliance with the operating and maintenance instructions given in this manual.

The machine must be operated only by persons familiar with its operation, maintenance and repair and who are familiar with its hazards.

The required minimum age must be observed

The machine must only be used in a technically perfect condition.

When working on the machine, all safety mechanisms and covers must be mounted.

In addition to the safety requirements contained in this operating instructions and your country's applicable regulations, you should observe the generally recognized technical rules concerning the operation of woodworking machines.

Any other use exceeds authorization.

In the event of unauthorized use of the machine, the manufacturer renounces all liability and the responsibility is transferred exclusively to the operator.

3.2 General safety notes

Woodworking machines can be dangerous if not used properly. Therefore the appropriate general technical rules as well as the following notes must be observed.



Read and understand the entire instruction manual before attempting assembly or operation.



Keep this operating instruction close by the machine, protected from dirt and humidity, and pass it over to the new owner if you part with the tool.

No changes to the machine may be made.

Daily inspect the function and existence of the safety appliances before you start the machine.

Do not attempt operation in this case, protect the machine by unplugging the mains cord.

Before operating the machine, remove tie, rings, watches, other jewellery, and roll up sleeves above the elbows. Remove all loose clothing and confine long hair.

Wear safety shoes; never wear leisure shoes or sandals.

Always wear the approved working outfit

- safety goggles
- ear protection
- dust protection



Do not wear gloves while operating this machine.



Wear work gloves for the safe handling of sawblades.

Observe the chapter "save operation" in this manual.

Control the stopping time of the machine, it may not be longer than 10 seconds.

Work only with a sharp and flawless sawblade.

Work only with fence well tightened.

Use suitable table extensions and supporting aids for difficult to handle workpieces.

Insure that the workpiece does not roll when cutting round pieces.

Always lower the blade guide close to the workpiece.

With the machine table is inclined use the fence and position it on the bottom side only.

Always hold and guide the workpieces safely during machining.

Remove cut and jammed workpieces only when motor is turned off and the machine is at a complete standstill.

Install the machine so that there is sufficient space for safe operation and workpiece handling.

Keep work area well lighted.

The machine is designed to operate in closed rooms and must be placed stable on firm and levelled ground.

Make sure that the power cord does not impede work and cause people to trip.

Keep the floor around the machine clean and free of scrap material, oil and grease.

Stay alert!

Give your work undivided attention.

Use common sense.

Keep an ergonomic body position.

Maintain a balanced stance at all times.

Do not operate the machine when you are tired.

Do not operate the machine under the influence of drugs, alcohol or any medication. Be aware that medication can change your behaviour.



Never reach into the machine while it is operating or running down.



Keep children and visitors a safe distance from the work area.

Never leave a running machine unattended. Before you leave the workplace switch off the machine.

Do not operate the electric tool near inflammable liquids or gases.

Observe the fire fighting and fire alert options, for example the fire extinguisher operation and place.

Do not use the machine in a damp environment and do not expose it to rain.

Wood dust is explosive and can also represent a risk to health.

Dust from some tropical woods in particular, and from hardwoods like beach and oak, is classified as a carcinogenic substance.

Always use a suitable dust extraction device

Before machining, remove any nails and other foreign bodies from the workpiece.

Use a push block when working the ends of narrow stock.

Always store the push stick or the push wood handle with the machine, also when not in use.

Specifications regarding the maximum or minimum size of the workpiece must be observed.

Do not remove chips and workpiece parts until the machine is at a complete standstill.

Never operate with the guards not in place – serious risk of injury!

Do not stand on the machine.

Connection and repair work on the electrical installation may be carried out by a qualified electrician only.



Have a damaged or worn cord replaced immediately.

Make all machine adjustments or maintenance with the machine unplugged from the power source.



Remove defective sawblades immediately.

3.3 Remaining hazards

When using the machine according to regulations some remaining hazards may still exist

The moving sawblade in the work area can cause injury.

Broken saw blades can cause injuries.

Thrown workpieces can lead to injury

Wood chips and sawdust can be health hazards. Be sure to wear personal protection gear such as safety goggles ear- and dust protection.

Use a suitable dust exhaust system.

The use of incorrect mains supply or a damaged power cord can lead to injuries caused by electricity.

4. Machine specifications

4.1 Machine Description

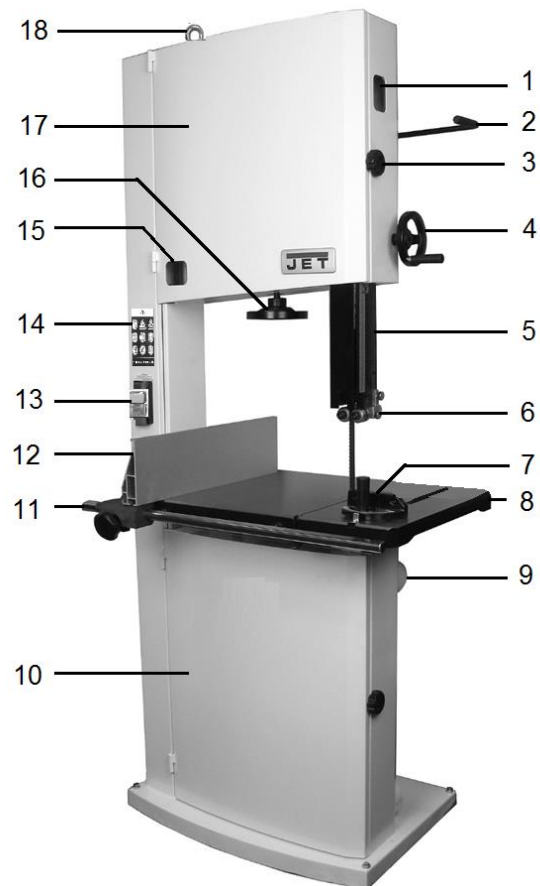


Fig 1

- 1...Blade tracking window
- 2...Blade tension lever
- 3...Door catch
- 4...Height adjust hand wheel
- 5...Guide post
- 6...Upper blade guides
- 7...Mitre gauge
- 8...Cast iron table
- 9...Dust port
- 10...Lower wheel cover
- 11...Fence support rail
- 12...Fence
- 13...On/Off magnetic switch
- 14...Warning label
- 15...Blade tension window
- 16...Blade tension hand wheel
- 17...Upper wheel cover
- 18...Lifting ring

4.2 Technical data

JWBS-15:

Wheel diameter	375 mm
Cutting width	max 360 mm
Cutting height	max 356 mm
Sawblade length	3380 mm (3350~3390mm)
Blade width	3 - 25 mm
Blade thickness	0,5 – 0,7 mm
Cutting speed	760 m/min
Machine Table(Lx W)	545x405 mm
Table tilting range	-5° to 45°
Working height	890mm
Dust port diameter (2x)	100mm
Overall (WxDxH)	750x810x1880mm
Mains (JWBS-15-M)	1~230V, PE, 50Hz
Motor output power	1.1 kW (1.5HP) S1
Reference current	8 A
Extension cord (H05VV-F):	3x1,5mm ²
Installation fuse protection	16A
Weight	172 kg
Mains (JWBS-15-T)	3~400V, PE, 50Hz
Motor output power	1.5 kW (2 HP) S1
Reference current	3.5 A
Extension cord (H05VV-F):	5x1,5mm ²
Installation fuse protection	16A
Weight	174 kg
Insulation protection class	I

JWBS-18:

Wheel diameter	470 mm
Cutting width	max 457 mm
Cutting height	max 406 mm
Sawblade length	3810 mm (3785~3835)
Blade width	3 - 30 mm
Blade thickness	0,6 – 0,8 mm
Cutting speed	580 & 900 m/min
Machine Table(Lx W)	690x508 mm
Table tilting range	-5° to 45°
Working height	940mm
Dust port diameter (2x)	100mm
Overall (WxDxH)	915x865x2035mm
Mains (JWBS-18-M)	1~230V, PE, 50Hz
Motor output power	1.5 kW (2 HP) S1
Reference current	8 A
Extension cord (H05VV-F):	3x1,5mm ²
Installation fuse protection	16A
Weight	214 kg
Mains (JWBS-18-T)	3~400V, PE, 50Hz
Motor output power	2.2 kW (3 HP) S1
Reference current	5 A
Extension cord (H05VV-F):	5x1,5mm ²
Installation fuse protection	16A
Weight	217 kg
Insulation protection class	I

JWBS-20:

Wheel diameter	514 mm
Cutting width	max 508 mm
Cutting height	max 406 mm
Sawblade length	4013 mm (3990~4035mm)
Blade width	3 - 38 mm
Blade thickness	0,6 – 0,9 mm
Cutting speed	640 & 1220 m/min
Machine Table(Lx W)	690x508 mm
Table tilting range	-5° to 45°
Working height	940mm
Dust port diameter (2x)	100mm
Overall (WxDxH)	940x845x2235mm
Mains (JWBS-20-M)	1~230V, PE, 50Hz
Motor output power	2.2 kW (3 HP) S1
Reference current	12 A
Extension cord (H05VV-F):	3x1,5mm ²
Installation fuse protection	16A
Weight	258 kg
Mains (JWBS-20-T)	3~400V, PE, 50Hz
Motor output power	3.7 kW (5 HP) S1
Reference current	8.8 A
Extension cord (H05VV-F):	5x1,5mm ²
Installation fuse protection	16A
Weight	276 kg
Insulation protection class	I

4.3 Noise emission

Determined according to EN 1807

(Inspection tolerance 4 dB)

Workpiece beech:

T=30mm, L=1500mm, moisture 8,5%

Acoustic power level (according to EN ISO 3746):

Idling LwA 82 dB(A)

Operating LwA 93 dB(A)

Acoustic pressure level (according to EN ISO 11202):

Idling LpA 74 dB(A)

Operating LpA 87 dB(A)

The specified values are emission levels and are not necessarily to be seen as safe operating levels. Although there is a correlation between emission and imission levels, these do not constitute a basis for determining the necessity of additional safety measures. Workplace conditions which could influence the noise imission level include the duration of resonance, spatial particulars, other noise sources etc. For example, the number of machines and other work being performed. The permissible workplace levels can vary from country to country.

This information is intended to allow the user to make a better estimation of the hazards and risks involved.

4.4 Dust emission

The band saw has been dust emission inspected.

At an air velocity of 20 m/s on the dust port dia 100mm:
Vacuum pressure 1250 Pa
Volume flow 565 m³/h

The machine meets a workplace dust emission of 2 mg/m³.

4.5 Content of delivery

- Band saw
- Fence body – A
- Fence profile – B
- Table – C
- Table insert – D
- Guide rail – E
- Lifting ring – F
- Hand wheel with handle – G
- Mitre gauge – H
- Saw blade
- Operating manual
- Spare parts list

Hardware package containing:

- 2x Socket head screws – HP1
- 2x Flat washers – HP2
- 4x Hex cap screws – HP3
- 4x Lock washers – HP4
- 4x Flat washers – HP5
- 1x Table slot handle assembly – HP6

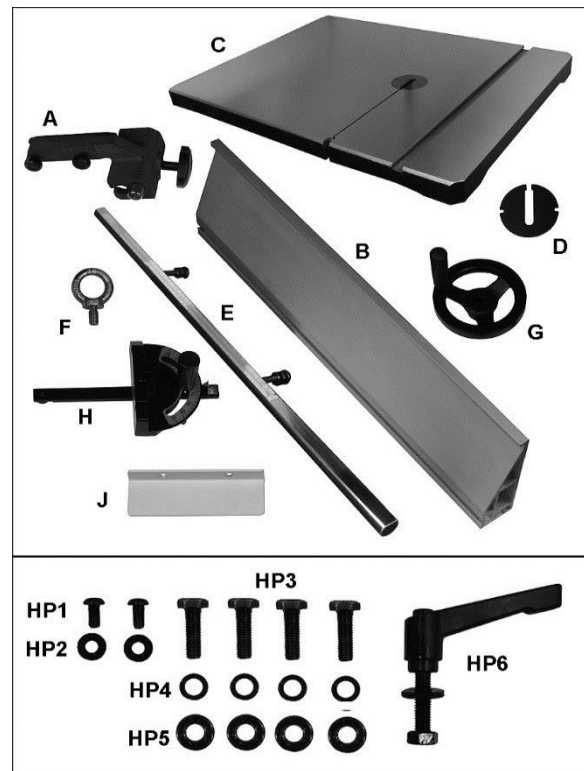


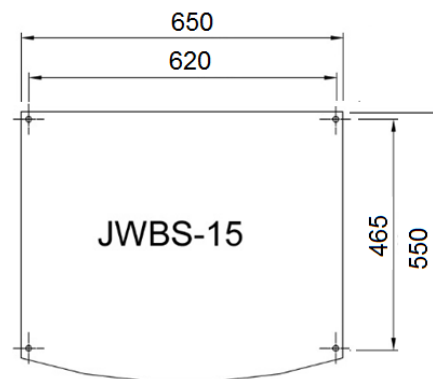
Fig 2

5. Transport and start up

5.1 Transport and installation

**The machine will be delivered on an open crate.
For transport use a forklift or hand trolley. Make sure the machine does not tip or fall off during transport.**

The machine is designed to operate in closed rooms and must be placed stable on firm and levelled ground.
The machine can be bolted down if required (Fig 3).



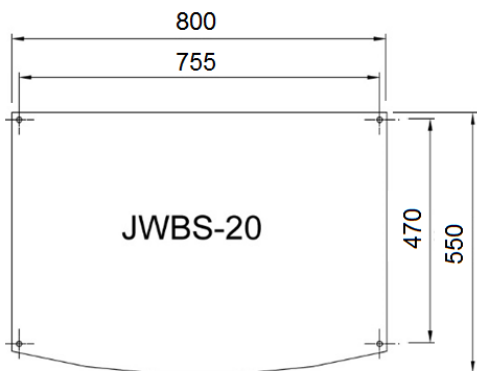
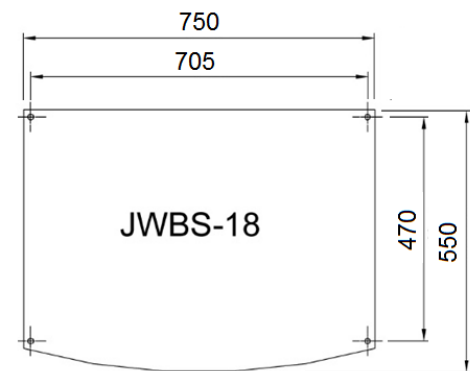


Fig 3

For packing reasons the machine is not completely assembled.

5.2 Assembly

If you notice any transport damage while unpacking, notify your supplier immediately. Do not operate the machine!

Dispose of the packing in an environmentally friendly manner.

Clean all rust protected surfaces with a mild solvent.

Attach the hand wheel:

Attach the hand wheel (G, Fig 4) and tighten two set screws.

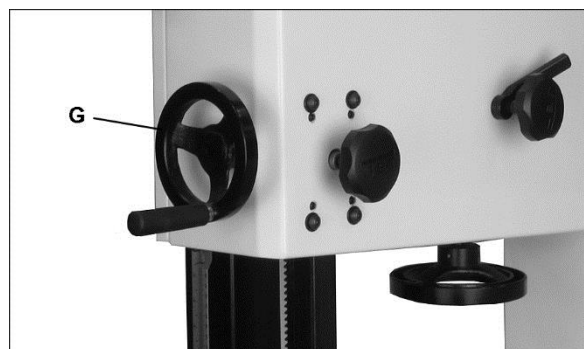


Fig 4

Attach the table:

Install table so that blade passes through slot (A, Fig 5).

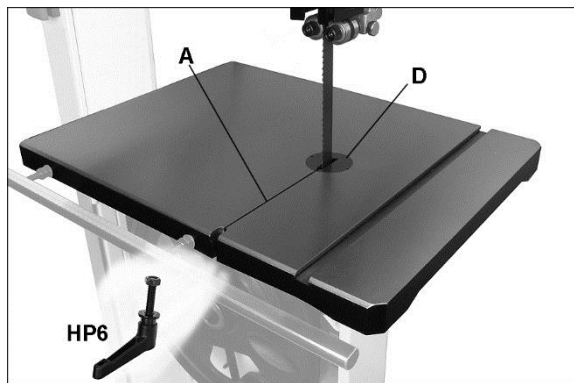


Fig 5

Insert four hex cap screws with lock washers and flat washers (Fig 6). Hand tighten screws only.



Fig 6

Check that table is parallel to blade:

Tension blade and place a long straight edge against blade (Fig 7).

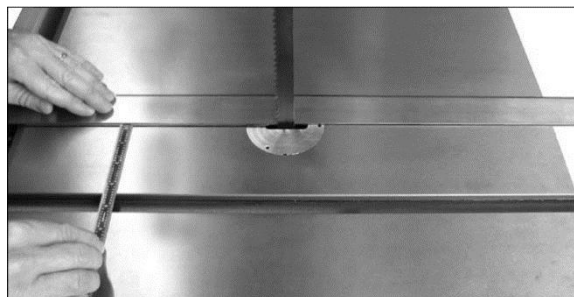


Fig 7

If mitre slot is not parallel to blade, shift table as needed.

Tighten the four screws (Fig 6) securely.

Install table insert (D, Fig 5), level the insert with table.

Install slot handle assembly (HP6, Fig 5), and tighten.

Attach fence guide rail:

Attach guide rail (E, Fig 8) to table.

Secure with the included nuts and washers.

Do not fully tighten yet until fence adjustments have been made in the following section.



Fig 8

Install fence assembly and adjust:

Slide fence body (A, Fig 9) onto guide rail and move fence body to right of blade.

Install fence profile (B) and tighten with two knobs (A1).

Slide fence against edge of mitre slot, and tighten handle (A2). The fence should align parallel to mitre slot.

If adjustment is needed, loosen and rotate hex nuts on guide rail studs (A3) as needed.

Tighten nuts.

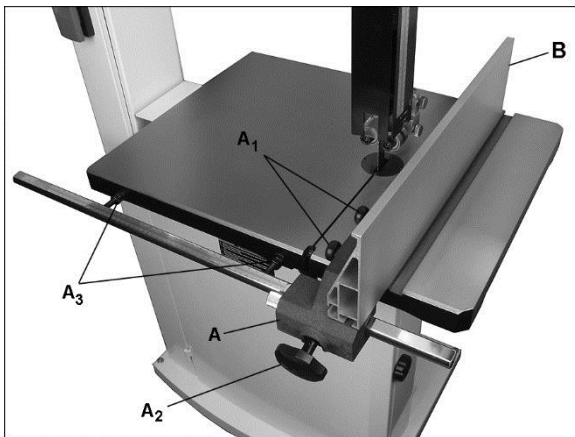


Fig 9

Install table bracket (JWBS-20 only):

Install bracket (J, Fig 10) on left side of table.

Level with surface of table and tighten screws.

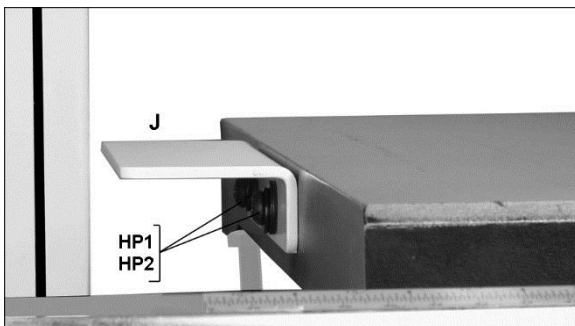


Fig 10

Install mitre gauge:

Slide mitre gauge into table slot.

Use a square to verify that mitre gauge face is square to the table slot (=square to the fence profile).

If mitre gauge is not square, loosen lock knob (H1, Fig 11) and adjust to proper setting.

If pointer is not at 90 degrees, loosen screw (H2) to adjust.

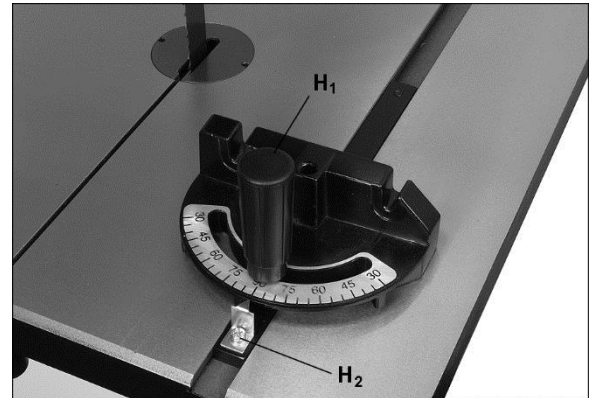


Fig 11

Fence aluminium profile adjustments:

Loosen knobs (A1, Fig 12) to adjust the aluminium fence profile.

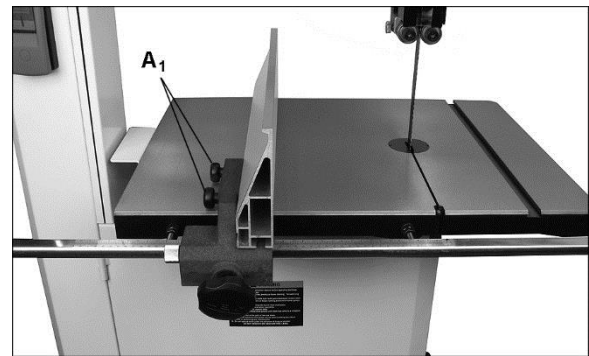


Fig 12: vertical

The fence profile can be installed in two positions, vertically (Fig 12) or horizontally (Fig 13).

Horizontal position is useful for smaller workpieces, for narrow shallow cuts.

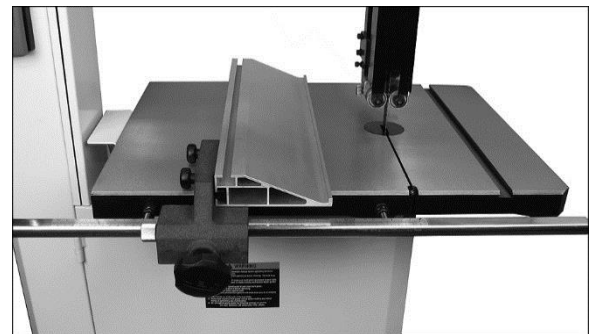


Fig 13: horizontal

Fence fine adjustment:

Loosen fence lock knob (A, Fig 14).

Loosen knob (B).

Slide fence to approximate position.

Tighten knob (B).

Rotate knurled knob (C) to achieve fine adjustment.

When setting is reached, tighten fence lock knob (A).

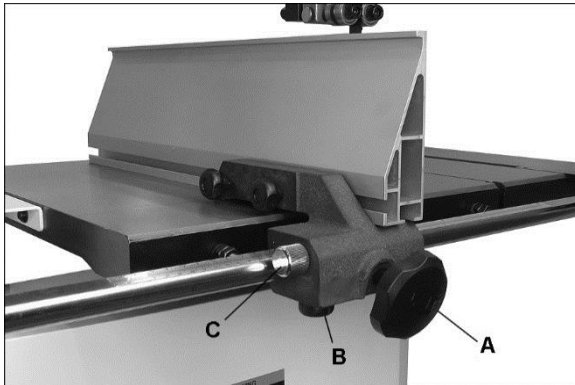


Fig 14

Table tilt:

To tilt the table, loosen the lock handle (D, Fig 15) and rotate the knob (E).

Adjust according to the scale (G).

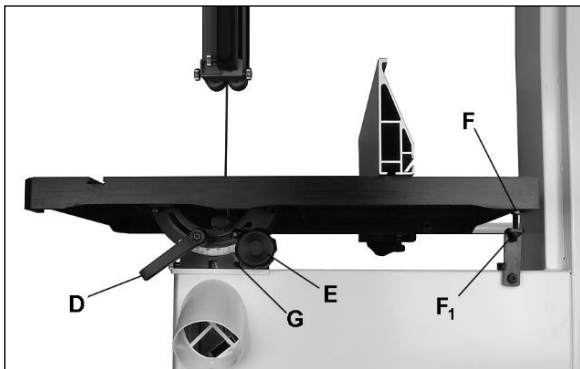


Fig 15

The 90° table stop (F) must be pivoted out of the way to tilt table to the left.

Tighten lock handle (D).

Table 90° stop adjustment:

The 90° table stop (F) must be adjusted, so that the table is square to the sawblade..

Place a square against the saw blade to inspect (F 16).

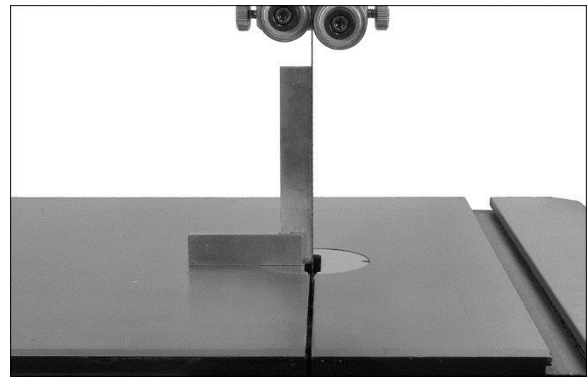


Fig 16

Loosen nut (F1, Fig 15) to adjust the stop.

Levelling table insert:

Remove table insert to expose set screws in the table.

Rotate screws as needed until insert sits flush with table surface.

5.3 Mains connection

Mains connection and any extension cords and plugs used must comply with the information on the machine licence plate.

The mains connection must have a 16A surge-proof fuse.

Only use extension cords marked H07RN-F, with wires 1,5mm² or more.

Power cords and plugs must be free from defects.

Connections and repairs to the electrical equipment may only be carried out by qualified electricians.

ATTENTION:

-Check first if the saw blade is tensioned and runs freely and if all safety devices are fitted before starting the machine.

- If the direction of rotation is not correct, the phase converter inside the CEE Euro plug must be pushed in and turned 180°.

(The saw blade must run down to the table)

5.4 Dust connection

Before initial operation, the machine must be connected to a dust extractor. The suction should switch on automatically when the bandsaw is switched on.

The flow rate on the suction port must be 20m/sec.

Flexible hoses must be of non-flammable quality, and must be connected to the machine ground system.

5.5 Starting operation

You can start the machine with the green ON-button . The red OFF-button on the main switch stops the machine.



Fig 18

In case of machine overload the motor overload cut-off will react.

After appr.10 min of cooling the machine can be started again.

6. Machine operation

Correct working position:

In front of the machine standing in the direction of cutting.

Cut preparation:

Bring the upper blade guide to a distance of approximately 3mm to the workpiece (Fig 19).

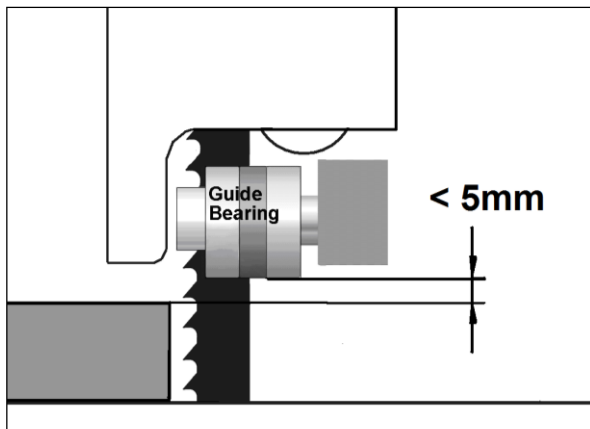


Fig 19

For your own safety, always set the saw guide as close to the workpiece as possible.

Work only with a sharp and flawless sawblade.

Make sure blade is tracked and tensioned correctly.

Make sure blade guides are adjusted correctly.

If using the fence, move it into position and lock it to the guide rail. Work only with rip fence securely locked in place.

For narrow shallow cuts on the rip fence, place the fence profile into the horizontal position (Fig 13).

Turn on band saw and allow it to reach full speed.

Workpiece handling:

Hands placed flat on the workpiece outside the cutting area.

Feed the workpiece towards the saw blade in the direction of the saw line, and cut as required by turning to follow the line drawn.

Push the workpiece steadily forward; complete the cut as a single movement.

If possible, do not draw the workpiece back, as this could cause the sawblade to run off its wheels.

Support long and wide workpieces with helping roller stands.

Near the cutting area use a push stick to feed, to prevent your hands to come close to the saw blade.

Make relief cuts whenever necessary. A relieve cut is an extra cut made through the waste portion of the wood.

Use a feeding template to safely guide small and narrow workpieces.

Use a suitable wedge to prevent round timber from turning under the pressure of the cut.

Blade Drift:

Blade drift is a frequent problem on rip cuts and during resawing.

Blade drift may occur when the fence is being used, the blade begins to wander off the cutting line (Fig 20).

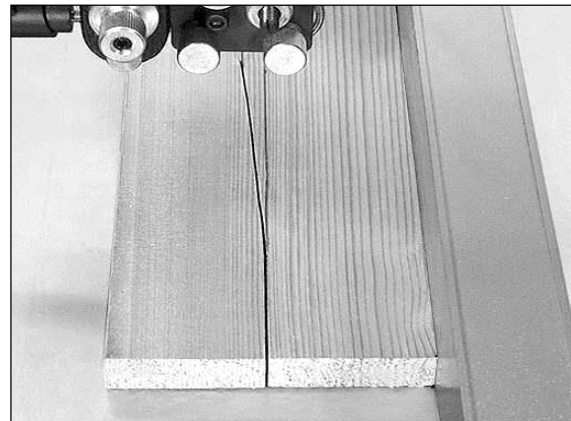


Fig 20

Blade drift can be caused by a number of factors.

- The saw blade follows the grain
- The saw blade is dull.
- Blade guides not adjusted correctly.
- Blade tension insufficient.
- Blade-teeth have asymmetric "set"

Ripping (Fig 21)

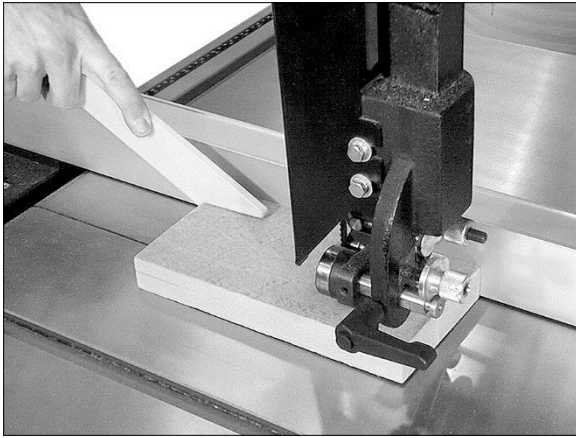


Fig 21

Crosscutting (Fig 22)

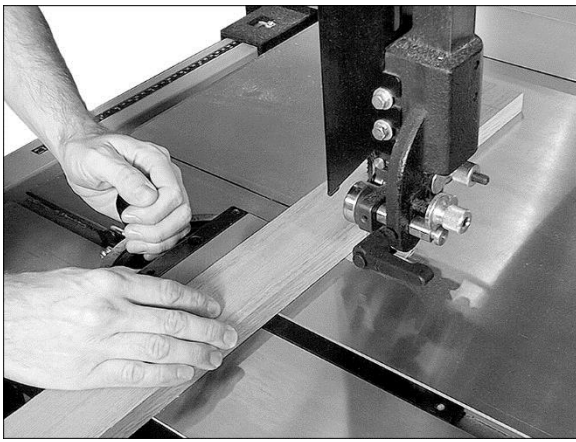


Fig 22

Resawing (Fig 23)

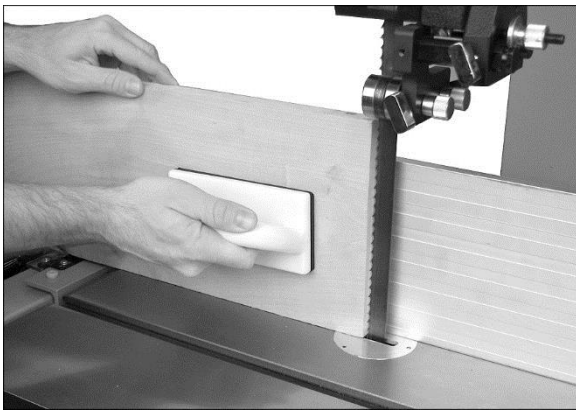


Fig 23

For the authorized use of the machine observe the appendix
A
"safe operation"
(on the last pages of this operating manual)

A.1: Performing high cuts

A.2.: Performing diagonal cuts

A.3.: Tenon cutting

A.4.: Cutting of wedges

A.5.: Curved cuts

A.6.: Arc cuts

A.7.: Cutting with template

A.8.: Circular cutting

A8.1 Set up without workpiece

A8.2 Placing the workpiece

A8.3 Machining

7. Setup and adjustments

General note:

Setup and adjustment work may only be carried out after the machine is protected against accidental starting by pulling the mains plug.

7.1 Saw blade selection

The sawblade has to meet the technical specification.

Choose a suitable sawblade, according to the cutting operation and according to the material to be cut.

For a high rip cut:

- use a wide sawblade, coarse teathed
(e.g. 20mm, 3 T/")

For a narrow curved cut:

- use a narrow sawblade
(e.g. 3mm, 14 T/").

Pitch:

The pitch should not be smaller than necessary, as the feed speed is reduced if there are too many teeth working on the workpiece simultaneously, which causes the saw blade to wear more quickly.

Ideally, 3 to 12 teeth should be in action at the same time (Fig 24).

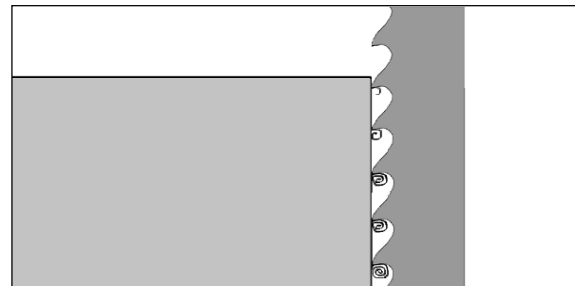
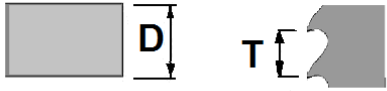


Fig 24

The following table shows recommended saw blade pitch in relation to workpiece thickness (Fig 25).



D mm	T / "	T mm
< 20	14	1.8
< 40	8	3.2
< 60	6	4.2
20 - 100	4	6.3
30 - 150	3	8.5
> 150	2	12.7

Fig 25

Tooth Shape:

The tooth shape effects the chip capacity and the feed rate. The following table shows common tooth shapes (Fig 26):

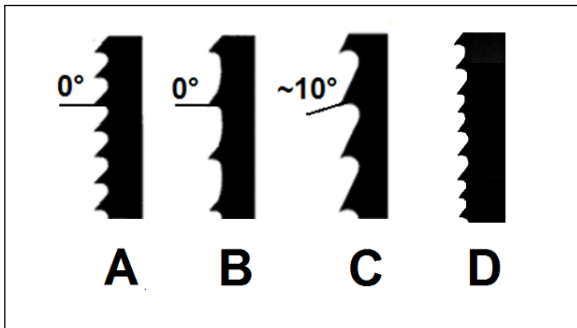


Fig 26

A- Regular tooth:

The most common used tooth shape. 0° rake angle. Suited for cut-off and contour sawing of most materials. For cutting materials where a fine cut is required.

B- Skip tooth:

Widely spaced teeth, to prevent clogging. 0° rake angle. For resawing and ripping thick stock, especially soft woods.

C- Hooked tooth:

Large teeth and a positive rake angle, for aggressive, faster cutting. For resawing and ripping thick stock, especially hard woods.

D- Variable tooth:

Variable tooth shape and spacing produces smooth cuts and dampens vibrations.

Set:

Saw teeth are bent out of the plane of the saw body, resulting in a wide cut in the workpiece. This helps reduce friction and allows curve cuts).

The alternate set (Y, Fig 27) is the most used for woodworking blades.

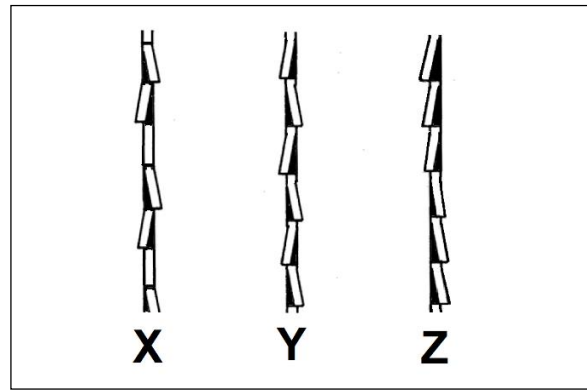


Fig 27

- X- Raker set
- Y- Alternate set
- Z- Wavy set

Blade width:

Use a possibly wide blade, except for contour cutting. The following table shows relation between saw blade width and smallest cutting radius (Fig 28).

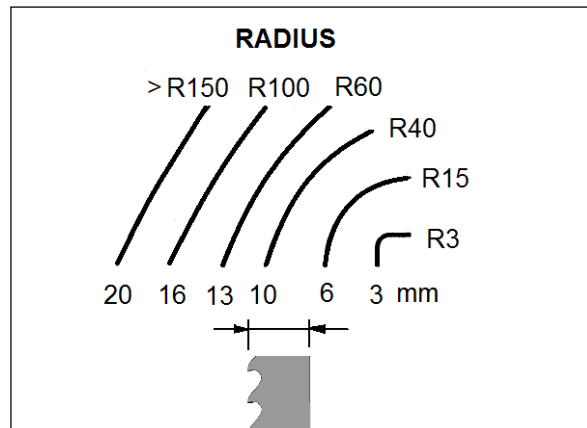


Fig 28

Blade material:

- carbon steel
- alloy steel
- bimetal (HSS teeth welded onto alloy steel blade body)
- carbide tipped.

7.2 Changing the sawblade

Check sawblade for flaws (cracks, broken teeth, bending) before installation. Do not use faulty sawblades.

The sawblade teeth must point in cutting direction (down)

Always wear suitable gloves when handling sawblades.

To remove the blade:

Open the wheel covers.

Remove the table insert (D, Fig 29) and the slot handle assembly (E).

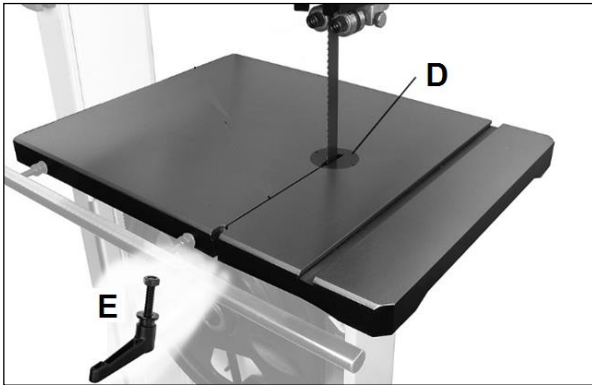


Fig 29

Release the blade tension by operating the quick blade tension lever (Q, Fig 30) and by turning the blade tension hand wheel (L).

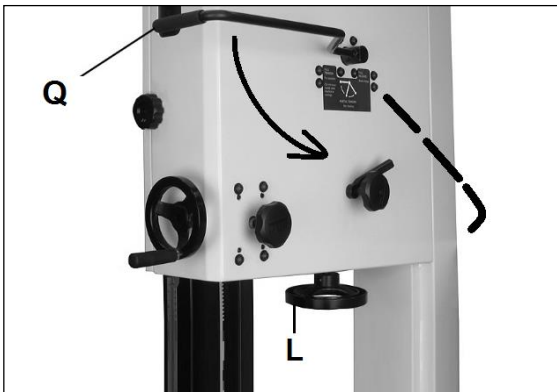


Fig 30

Open the blade guards (Fig 31, Fig 32)

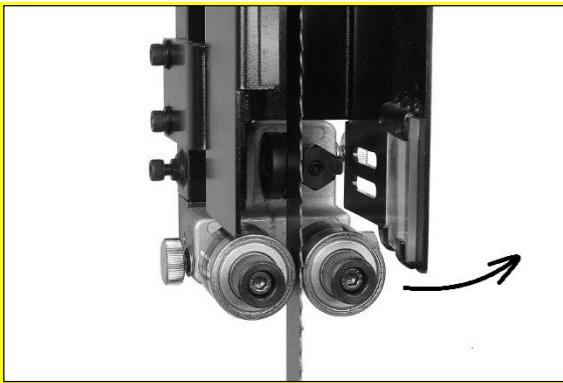


Fig 31

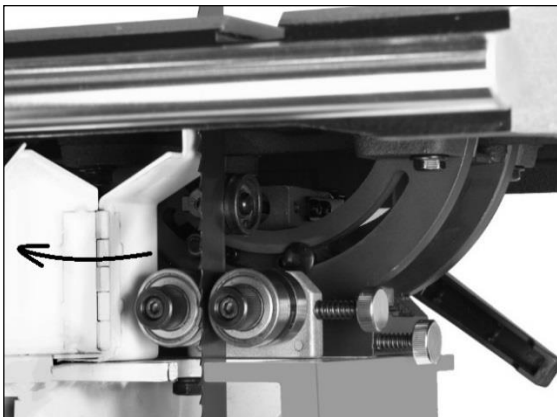


Fig 32

Remove the dust block (J, Fig 33)

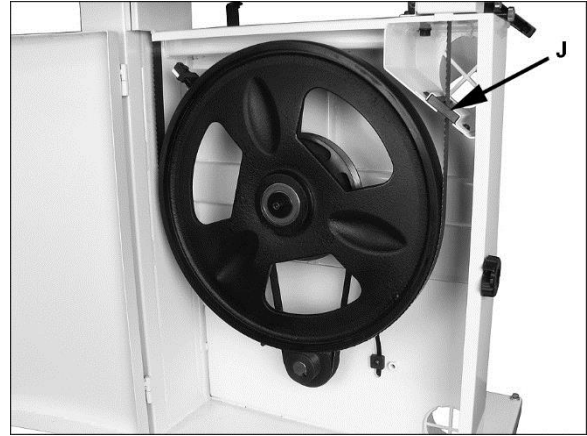


Fig 33

Install new saw blade.

After the new saw blade is installed, tighten the sawblade sufficiently.

Follow the scale (M, Fig 34).

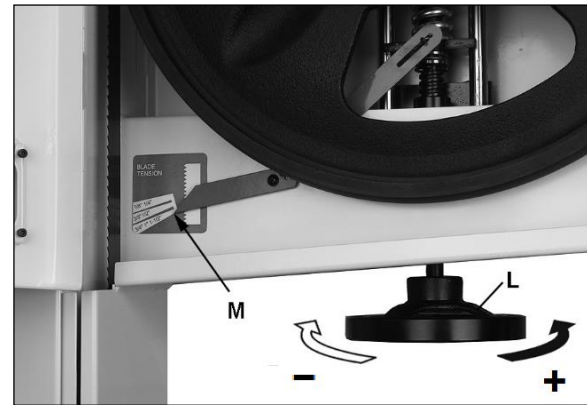


Fig 34

Install the dust block (J).

Close the blade guards.

Close the wheel covers.

7.3 Blade tracking adjustment

Blade tracking shall never be performed when the machine is running.

The sawblade must run on the centre of the rubber tyres (Fig 35).

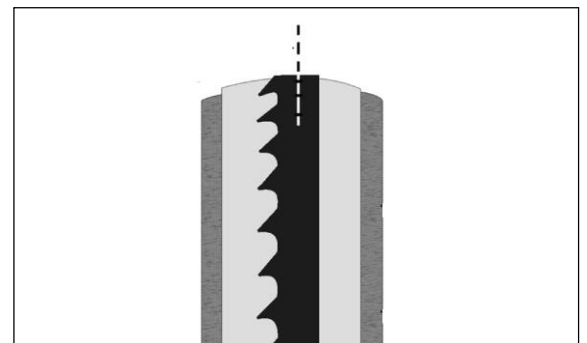


Fig 35

Lower the guide post until you can see the blade through the tracking window (O, Fig 36).

Loosen the lock handle (P)

With the knob (R) on the back of the machine the blade tracking can be adjusted.

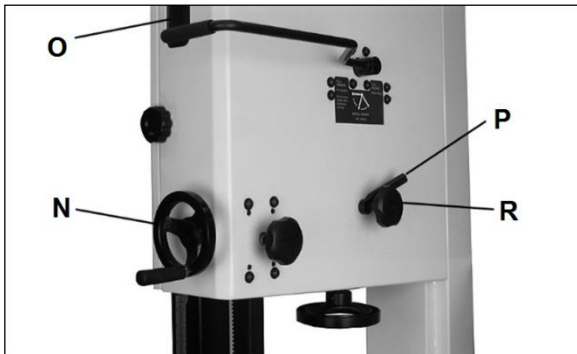


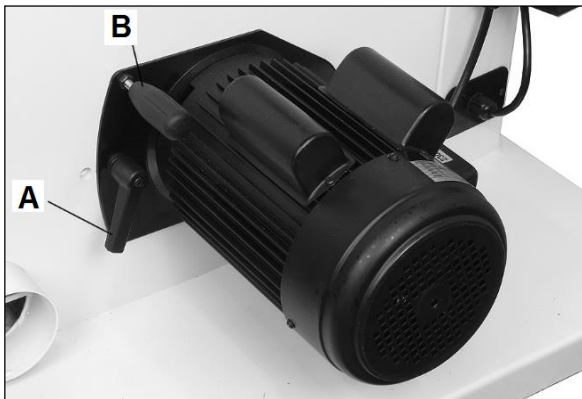
Fig 36

Tighten the lock handle.

Note:

Before replace / track the saw blade on bandsaws fitted with brake, please release the belt tension first

1. Disconnect machine from power source
2. Loosen the lock handle (A, see figure below).
3. Lift the motor with handle (B) until the belt is loose on the pulley, then tighten the lock handle (A)
4. Change or track the blade procedure can now be done
5. Loosen the the lock handle (A) again then re-tension the belt by pushing down the handle (B) with moderate pressure.
6. Lock the locking handle (A).



7.4 Blade tension adjustment

Blade tension is set with the blade tension hand wheel (L, Fig 37).

Tighten the placed sawblade sufficiently.

Follow the scale (M, Fig 34).

Quick blade tension lever :

To operate the machine, place the quick blade tension lever (Q, Fig 37) in the Full-Tension position (X).

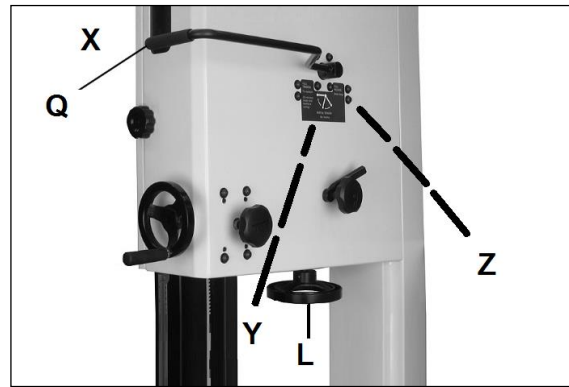


Fig 37

Note:

When the band saw is not in use, place the quick blade tension lever to the Partial-Tension position (Y), this will prolong the blade's life.

For blade changing, place the lever to the Fully-Released position (Z).

Adjusting quick blade tension lever:

The quick blade tension lever (Q) allows you to adjust how much tension is released when lever is used.

To adjust tension lever, remove the saw blade.

Move tension lever to Full Tension position (X).

JWBS-15 and JWBS-18: Turn adjustment screw (A, Fig 38) until gap between screw and wheel shaft hinge is 3 to 5mm.

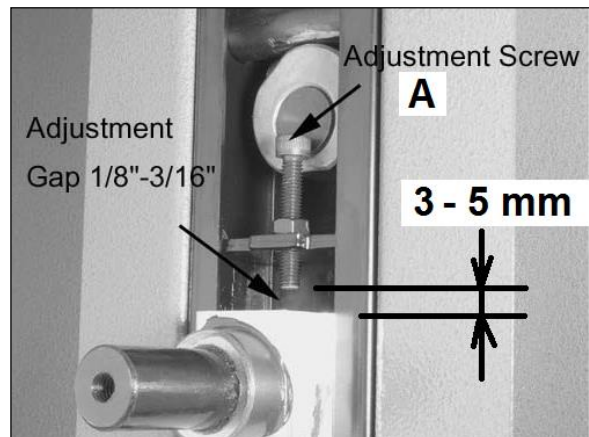


Fig 38

JWBS-20: Move stop bushing (B, Fig 39) until gap between stop bushing and wheel shaft hinge is 3 to 5mm.

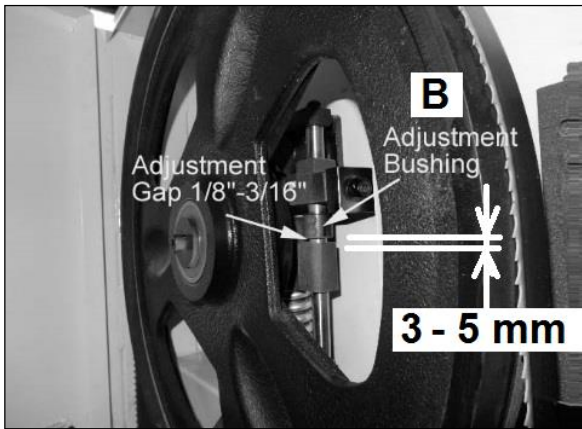


Fig 39

Guide post adjustment:

The guide post is adjusted ex works.

It should be parallel to the sawblade, thus the guide bearing remain a constant relationship to the blade.

For adjustment, slightly loosen the screws (O, Fig 40) and turn the set screws (P) gently as needed.

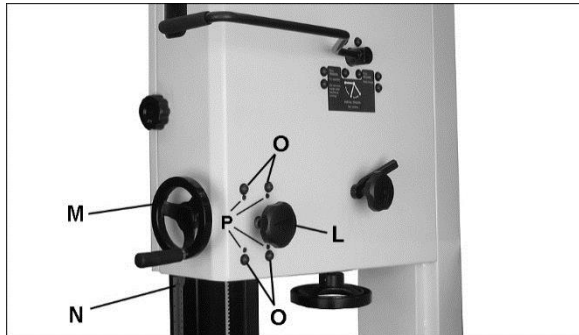


Fig 40

7.5 Blade guide adjustment

Blade guide adjustment shall never be performed when the machine is running.

Upper blade guide:

Loosen the lock knob (F, Fig 42).

Position the guide assembly forward/ backward so that the teeth keep a distance of approximately 2mm to the guide rollers (Fig 41).

Loosen the lock knob (I, Fig 42).

Adjust the back guide roller so that the distance to the saw blade is 1mm (Fig 41).

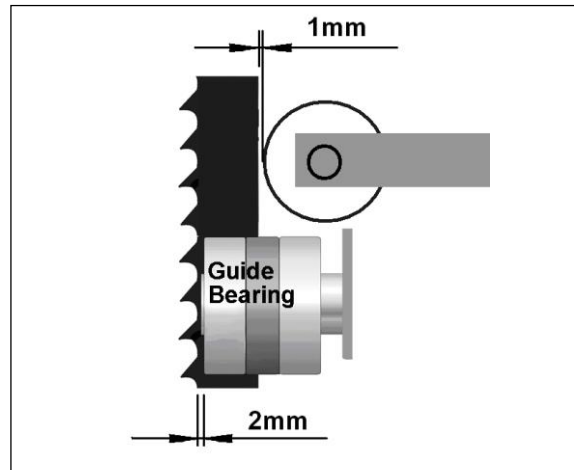


Fig 41

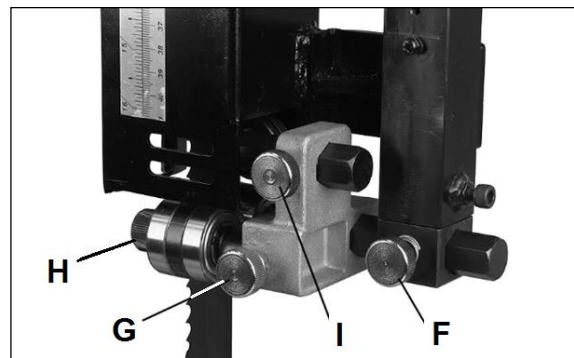


Fig 42

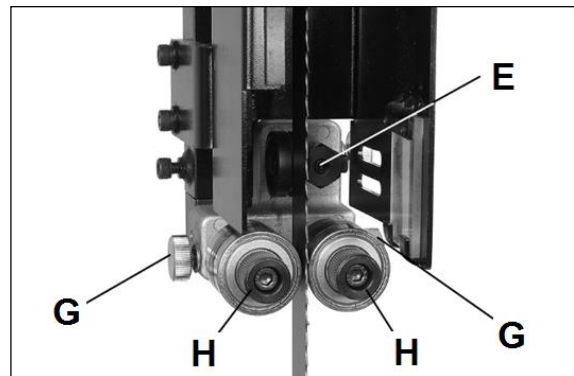


Fig 43

Lower blade guide:

Loosen the lock knob (L, Fig 44).

Position the guide assembly forward/ backward so that the teeth keep a distance of approximately 2mm to the guide rollers (Fig 41).

Loosen the knurled nut (O, Fig 45).

Adjust the back guide roller with the adjust screw (P) so that the distance to the saw blade is 1mm (Fig 41).

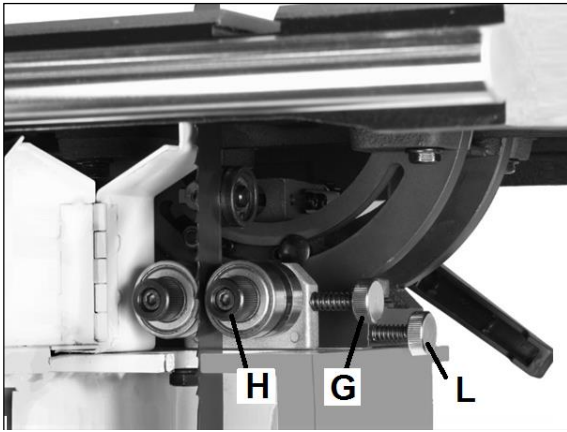


Fig 44

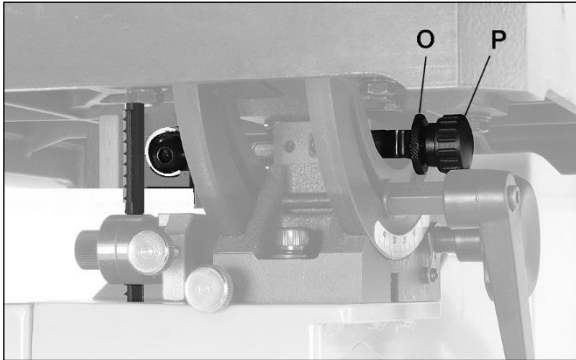


Fig 45

Upper and lower blade guide:

The back guide rollers (J, Fig 46) have a groove, which needs to be in line with the saw blade.

Loosen the grub screw (E) to adjust the roller position.

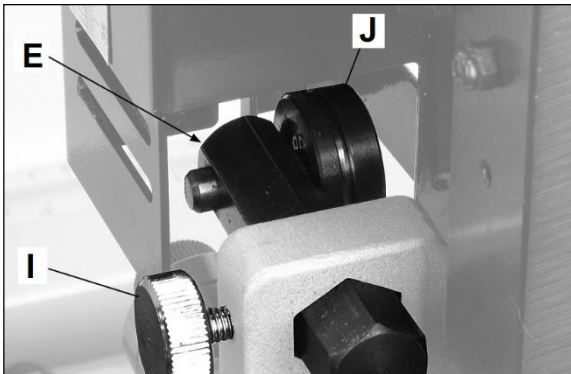


Fig 46

Set the lateral guide bearings so that they contact the sawblade lightly.

The sawblade may not be pushed out of place.

Loosen the lock knobs (G).

Adjust the lateral guide bearings by rotating the knurled knobs (H).

Note:

Set the lateral guide bearings so that they contact the sawblade lightly.

A quick way to achieve the spacing needed (~0.1mm) is placing a paper note between blade and guide bearing (Fig 47).



Fig 47

Lock all fasteners.

Test run:

Make sure all fasteners are locked.

Turn the blade wheels by hand and inspect the adjustments made.

Start the machine with care.

7.6 Blade speed adjustment (JWBS-18 and JWBS-20)

The JWBS-18 and JWBS-20 band saws will operate at two different speeds (Fig 48).

H...High speed

For standard cutting operations.

L...Low speed

Gives higher blade force, for high rip cuts and cutting hard wood.

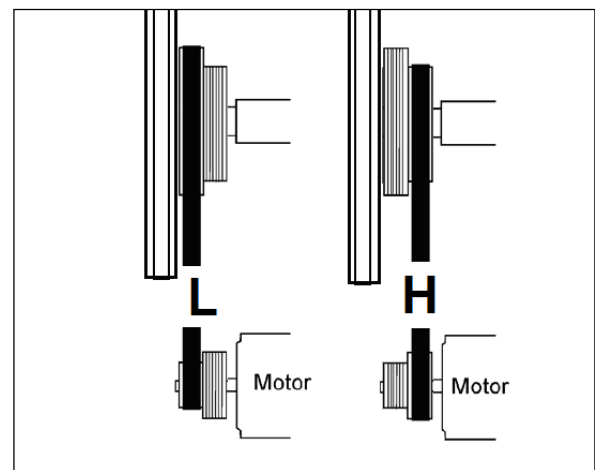


Fig 48

To change the speed:

Disconnect machine from power source.

Loosen the locking handle (A, Fig 49).

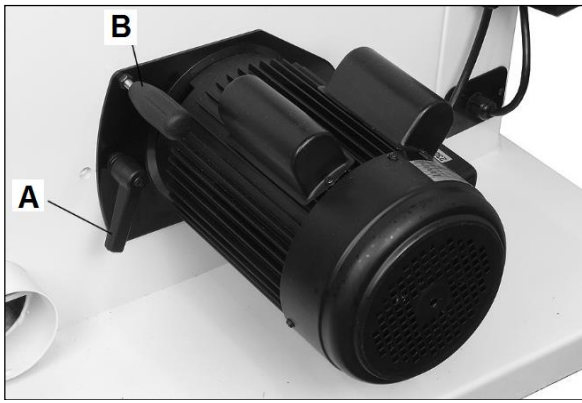


Fig 49

- Lift the motor with handle (B) and lock handle (A)
- Open the wheel covers.
- Slide the belt onto the appropriate set of pulleys.
- Re-tension the belt by pushing down the handle (B) with moderate pressure.
- Lock the locking handle (A).
- Close the wheel covers.

7.7 Folding the bandsaw blade

- A folded saw blade needs less space.
- Always wear suitable gloves when handling sawblades.
- Hold the bandsaw blade in one hand. Let it hang down vertically and hold it to the floor with a foot. Turn your hand through 360°, a complete circle, as you move it down towards the floor (Fig 50).

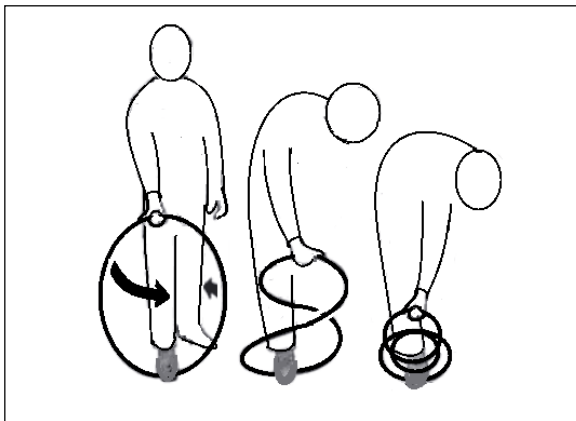


Fig 50

8. Maintenance and inspection

General notes:

Maintenance, cleaning and repair work may only be carried out after the machine is protected against accidental starting by pulling the mains plug.

Repair and maintenance work on the electrical system may only be carried out by a qualified electrician.

Clean the machine regularly.

Inspect the proper function of the dust extraction daily.

All protective and safety devices must be re-attached immediately after completed cleaning, repair and maintenance work.

Defective safety devices must be replaced immediately.

Inspect the correct blade tension regularly. Take away the blade tension if the machine is not in use for a longer time period.

Inspect the blade guide adjustment regularly.

Check bandsaw blades regularly for faults. Replace a defective sawblades immediately.

Wheels:

The rubber tyre of the wheels must be cleaned regularly.

The upper wheel support must be lubricated regularly.

Drive:

The belt tension must be inspected regularly.

The motor brake works electro-mechanically (brake motor). If braking time should exceed 10 seconds, the motor brake assembly needs to be replaced. Contact your JET service station immediately.

Belt replacement:

Disconnect machine from power source.

Remove the bolt and washer (F, Fig 51).

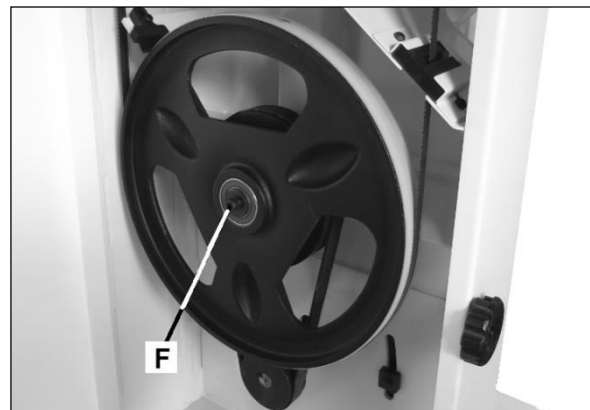


Fig 51

Remove the bandsaw wheel. (you may need to use a pulley puller to remove it).

Install the new belt.

Reassemble.

Table insert:

Replace a worn table insert.

The table insert (Fig 52) must be made out of cut-able material (e.g. wood, plastic, aluminium, brass).

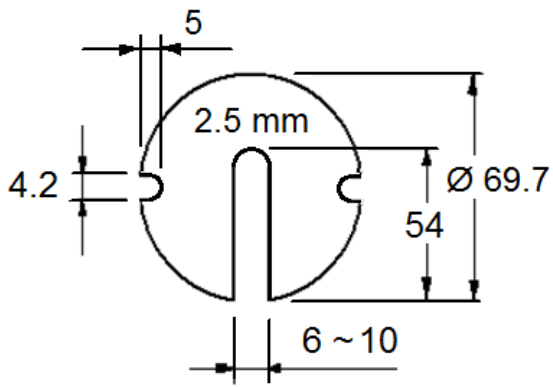


Fig 52

JET part number: JWBS15-1125

The table insert may not project above table surface.

Saw blades:

The servicing of sawblades should only be performed by a trained person.

Only use sharp and properly set sawblades.

Lubrication points:

Periodically apply a light all-purpose grease to rack and pinion (Fig 53).

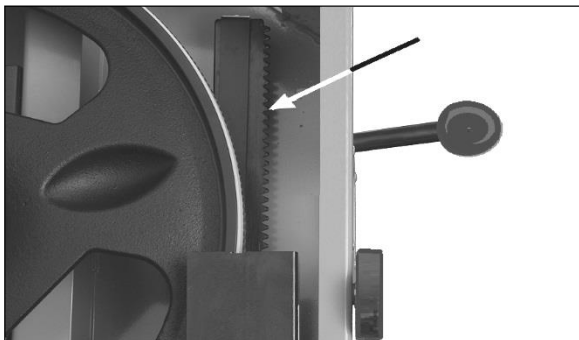


Fig 53

To the table trunnions (Fig 54).

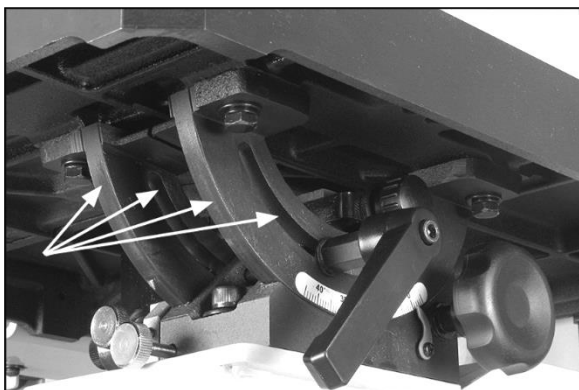


Fig 54

To the blade tension screw (Fig 55).

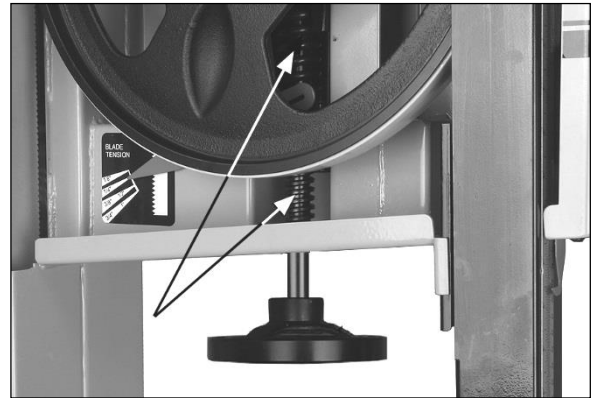


Fig 55

Note:

Bearings on the band saw are pre lubricated and sealed and do not require attention.

9. Trouble shooting

Motor doesn't start

- *No electricity- check mains and fuse.
- *Defective switch, motor or cord- consult an electrician.
- *Overload has reacted- Wait and start again.
- *Wheel covers not closed-

Machine vibrates excessively

- *Stand on uneven floor- adjust stand for even support.
- *dust on wheel- clean tires.
- *sawblade has cracks- replace sawblade immediately

Cut is not square

- *Table stop setting wrong.
- *Blade guide setting is bad

Cutting surfaces is bad

- *Wrong sawblade used
- *resin collection on sawblade
- *sawblade is dull
- *Blade guide setting is bad
- *Blade tension too low
- *workpiece inhomogeneous
- *Feed pressure too high- Do not force the workpiece.

10. Environmental protection

Protect the environment.

Your appliance contains valuable materials which can be recovered or recycled. Please leave it at a specialized institution.

11. Available accessories

Refer to the JET Pricelist for various saw blades.

12. Safe operation

See appendix A (on the last pages of this operating manual)

A.1: Performing high cuts

A.2.: Performing diagonal cuts

A.3.: Tenon cutting

A.4.: Cutting of wedges

A.5.: Curved cuts

A.6.: Arc cuts

A.7.: Cutting with template

A.8.: Circular cutting

A8.1 Set up without workpiece

A8.2 Placing the workpiece

A8.3 Machining

DE - DEUTSCH

Bedienungsanleitung

Sehr geehrter Kunde,

Vielen Dank für Ihr Vertrauen, dass Sie durch den Kauf Ihrer neuen JET-Maschine in uns gesetzt haben. Diese Anleitung wurde für den Besitzer und die Bediener der Bandsägen **JET JWBS-15, JWBS-18, JWBS-20** erstellt und soll die Sicherheit bei Aufstellung, Bedienung und Wartung gewährleisten. Bitte lesen Sie die in dieser Betriebsanleitung und den begleitenden Dokumenten enthaltenen Informationen vollständig und sorgfältig, um sicherzustellen, dass Sie alle Anweisungen genau verstehen. Damit Sie die Maschine so lange wie möglich sicher betreiben und mit höchstmöglicher Effizienz nutzen können, müssen diese Anleitung gründlich durchgelesen und alle Anweisungen befolgt werden.

...Inhaltsverzeichnis

1. Konformitätserklärung

2. Garantie

3. Sicherheit

Bestimmungsgemäße Verwendung
Allgemeine Sicherheitshinweise
Restrisiken

4. Spezifikationen der Maschine

Beschreibung der Maschine
Technische Daten
Geräuschemission
Staubemission
Lieferumfang

5. Transport und Inbetriebnahme

Transport und Aufstellung
Montage
Netzanschluss
Anschluss für Staubabsaugung
Starten des Betriebs

6. Bedienung der Maschine

7. Einrichtung und Einstellungen

Auswahl des Sägeblatts
Wechseln des Sägeblatts
Einstellen der Sägeblattführung
Einstellen der Sägeblattspannung
Einstellen der Sägeblattführung
Einstellen der Sägeblattgeschwindigkeit
Falten des Sägebands

8. Wartung und Inspektion

9. Störungsbeseitigung

10. Umweltschutz

11. Verfügbares Zubehör

12. „Sichere Bedienung“Anhang A

1. Konformitätserklärung

Wir erklären hiermit auf eigene Verantwortung, dass dieses Produkt den auf Seite 2 aufgeführten Richtlinien* entspricht und unter Berücksichtigung der folgenden Normen** entwickelt und konstruiert wurde. Die CE-Baumusterprüfung*** wurde von**** durchgeführt.

2. Garantie

Die JPW (Tool) AG garantiert, dass das von ihr gelieferte Produkt frei von Material- und Herstellungsfehlern ist.

Diese Garantie deckt keinerlei Mängel und Fehler ab, die - direkt oder indirekt - durch falsche oder nicht sachgemäße Verwendung, Fahrlässigkeit, Unfallschäden, Reparaturen oder unzureichende Wartungs- oder Reinigungsarbeiten sowie durch die natürliche Abnutzung durch Gebrauch verursacht werden.

Nähere Hintergründe der Garantie (z.B. Garantiezeitraum) sind in den Allgemeinen Geschäftsbedingungen (AGB) nachzulesen, die integraler Bestandteil des Vertrages sind. Diese AGB können auf der Website Ihres Händlers eingesehen werden oder werden Ihnen auf Wunsch auch gern zugeschickt.

Die JPW (Tool) AG behält sich das Recht vor, jederzeit Änderungen am Produkt und am Zubehör vorzunehmen.

3. Sicherheit

3.1 Bestimmungsgemäße Verwendung

Diese Maschine ist ausschließlich für das Sägen von Holz, holzbasierten Werkstoffen sowie Hartkunststoffe mit holzähnlichen Eigenschaften ausgelegt. Das Bearbeiten von anderen Werkstoffen ist nicht zulässig und darf in Sonderfällen nur nach ausdrücklicher Genehmigung des Herstellers durchgeführt werden.

Es dürfen keine Werkstücke aus Metall bearbeitet werden.

Das Werkstück muss so beschaffen sein, dass es sicher geladen, abgestützt und geführt werden kann.

Für die bestimmungsgemäße Verwendung müssen außerdem die Betriebs- und Wartungsanweisungen in diesem Handbuch beachtet werden.

Die Maschine darf nur von Personen bedient werden, die mit der Bedienung, Wartung und Reparatur dieser Maschine und den damit verbundenen Gefahren vertraut sind.

Das erforderliche Mindestalter muss beachtet werden.

Die Maschine darf nur in technisch einwandfreiem Zustand verwendet werden.

Beim Arbeiten mit der Maschine müssen alle Sicherheitsmechanismen und Sicherheitsabdeckungen funktionstüchtig und korrekt montiert sein.

Zusätzlich zu den in dieser Betriebsanleitung aufgeführten Sicherheitsmaßnahmen und den in Ihrem Land geltenden Regelungen müssen außerdem die allgemein anerkannten technischen Grundsätze hinsichtlich der Bedienung von Holzbearbeitungsmaschinen beachtet werden.

Jegliche anderweitige Verwendung ist untersagt. Bei nicht bestimmungsgemäßer Verwendung der Maschine übernimmt der Hersteller keinerlei Haftung und der Bediener trägt die volle Verantwortung.

3.2 Allgemeine Sicherheitshinweise

Holzbearbeitungsmaschinen bergen bei nicht sachgemäßer Verwendung ein großes Gefahrenpotential. Daher müssen die entsprechenden technischen Grundsätze und die folgenden Hinweise beachtet werden.



Vor Montage und Inbetriebnahme muss die Bedienungsanleitung vollständig durchgelesen und verstanden werden.



Diese Bedienungsanleitung muss in der Nähe der Maschine aufbewahrt, vor Schmutz und Feuchtigkeit geschützt und bei Weitergabe des Produkts an einen neuen Besitzer mit übergeben werden.

An der Maschine dürfen keine Änderungen vorgenommen werden.

Vor dem Starten der Maschine müssen alle Sicherheitseinrichtungen täglich auf Funktionstüchtigkeit und Vorhandensein geprüft werden.

In diesem Fall darf die Maschine nicht in Betrieb genommen werden und muss durch Abziehen des Netzkabels gesichert werden.

Bevor mit dieser Maschine gearbeitet wird, Krawatten, Ringe, Armbanduhren und anderen Schmuck ablegen und die Ärmel bis über die Ellbogen aufrollen.

Locker sitzende Kleidung darf nicht getragen werden und lange Haare zusammenbinden.

Sicherheitsschuhe tragen; niemals mit Freizeitschuhen oder Sandalen arbeiten.

Stets zulässige und geeignete Arbeitskleidung tragen:

- Schutzbrille
- Gehörschutz
- und Staubschutzmaske



Beim Arbeiten mit dieser Maschine keine Handschuhe tragen.



Zur sicheren Handhabung der Sägebänder und Sägeblätter Schutzhandschuhe tragen.

Die Anweisungen im Kapitel "Sichere Bedienung" in diesem Handbuch beachten.

Sicherstellen, dass die Abschaltzeit der Maschine nicht mehr als 10 Sekunden beträgt.

Nur mit einem scharfen und fehlerfreien Sägeblatt arbeiten.

Nur mit sicher angebrachter Schutzleiste arbeiten.

Geeignete Tischverlängerungen und Stützvorrichtungen für schwer zu handhabende Werkstücke verwenden.

Beim Bearbeiten von runden Werkstücken sicherstellen, dass das Werkstück nicht wegrollt.

Die Bandführung erst dann absenken, wenn sie sich nahe am Werkstück befindet.

Ist der Maschinentisch geneigt, die Schutzleiste verwenden. Nur an der Unterseite positionieren.

Die Werkstücke müssen während der Bearbeitung sicher festgehalten und geführt werden.

Fertig bearbeitete und verklemmte Werkstücke nur bei ausgeschaltetem Motor und vollständigem Stillstand der Maschine entfernen.

Die Maschine muss so aufgestellt werden, dass ausreichend Platz zur sicheren Bedienung und zur Handhabung des Werkstücks gewährleistet ist.

Der Arbeitsbereich muss stets gut beleuchtet sein.

Die Maschine ist für den Betrieb in geschlossenen Räumen ausgelegt und muss stabil und sicher auf einer festen und ebenen Fläche aufgestellt werden.

Es muss sichergestellt werden, dass das Netzkabel die Arbeiten nicht behindert und keine Stolpergefahr darstellt.

Den Boden rund um das Gerät sauber und frei von Ausschussmaterial, Öl oder Schmierfett halten.

Stets aufmerksam bleiben!

Der Arbeit ist uneingeschränkte Aufmerksamkeit zu widmen.

Mit gesundem Menschenverstand vorgehen.

Stets auf eine ergonomische Körperhaltung achten.

Stets für sicheren Stand sorgen.

Die Maschine darf nicht bei Müdigkeit bedient werden.

Die Bedienung dieser Maschine unter dem Einfluss von Drogen, Alkohol oder Medikamenten ist untersagt. Urteils- und Reaktionsvermögen sowie Motorik können durch Einnahme von Medikamenten beeinträchtigt werden.



Greifen Sie niemals in die Maschine hinein, während sich diese in Betrieb befindet oder nachläuft.



Kinder und Unbefugte müssen vom Arbeitsbereich ferngehalten werden.

Lassen Sie die Maschine niemals unbeaufsichtigt. Die Maschine muss vor dem Verlassen des Arbeitsplatzes ausgeschaltet werden.

Die Maschine darf nicht in der Nähe von entzündlichen Flüssigkeiten oder Gasen betrieben werden.

Alle Einrichtungen für Brandbekämpfung und Feueralarm - beispielsweise Position und Bedienung von Feuerlöschern - müssen bekannt sein.

Die Maschine darf nicht in feuchter Umgebung eingesetzt werden und darf keinem Regen ausgesetzt werden.

Holzstaub ist explosiv und kann darüber hinaus auch ein Gesundheitsrisiko darstellen.

Insbesondere gilt der Holzstaub einiger Tropenholzarten sowie Hartholzarten wie z.B. Buchen- und Eichenholz als krebserregend.

Es muss stets eine geeignete Staubabsaugvorrichtung verwendet werden.

Vor der Bearbeitung müssen sämtliche Nägel und Fremdkörper vom Werkstück entfernt werden.

Bei der Bearbeitung der Enden von schmalen Sägegut einen Druckblock verwenden.

Den Schiebstock bzw. den Schiebeh Holz-Griff an der Maschine aufbewahren, auch wenn er nicht benutzt wird.

Die Vorgaben hinsichtlich Maximal- und Minimalgröße des Werkstücks müssen beachtet werden.

Späne und Werkstückteile dürfen erst nach vollständigem Stillstand der Maschine entfernt werden.

Die Maschine darf unter keinen Umständen ohne Sicherheitsabdeckungen betrieben werden - andernfalls besteht die Gefahr von schwerwiegenden Verletzungen!

Stellen Sie sich nicht auf die Maschine.

Anschluss- und Reparaturarbeiten an der Elektrik dürfen ausschließlich von einem qualifizierten Elektriker durchgeführt werden.



Beschädigte oder verschlissene Netzkabel bzw. andere Kabel müssen umgehend ersetzt werden.

Die Maschine vor Ausführung aller erforderlichen Einstellungen oder Wartungsarbeiten vom Stromnetz trennen.



Defekte Sägeblätter und Sägebänder sofort entfernen.

3.3 Restrisiken

Selbst bei Beachtung aller Vorschriften können beim Betrieb der Maschine einige Restrisiken bestehen.

Das in Bewegung befindliche Sägeblatt im Arbeitsbereich kann Verletzungen verursachen.

Defekte Sägeblätter können Verletzungen verursachen.

Fortgeschleuderte Werkstücke können zu Verletzungen führen.

Holzspäne und Sägemehl können gesundheitsgefährdend sein. Persönliche Schutzausrüstung wie z.B. Schutzbrille, Gehörschutz und Staubschutzmaske tragen.

Ein geeignetes Staubabsaugsystem verwenden.

Bei Verwendung eines ungeeigneten Netzanschlusses und eines beschädigten Netzkabels kann es zu Verletzungen aufgrund eines Stromschlags kommen.

4. Spezifikationen der Maschine

4.1 Beschreibung der Maschine

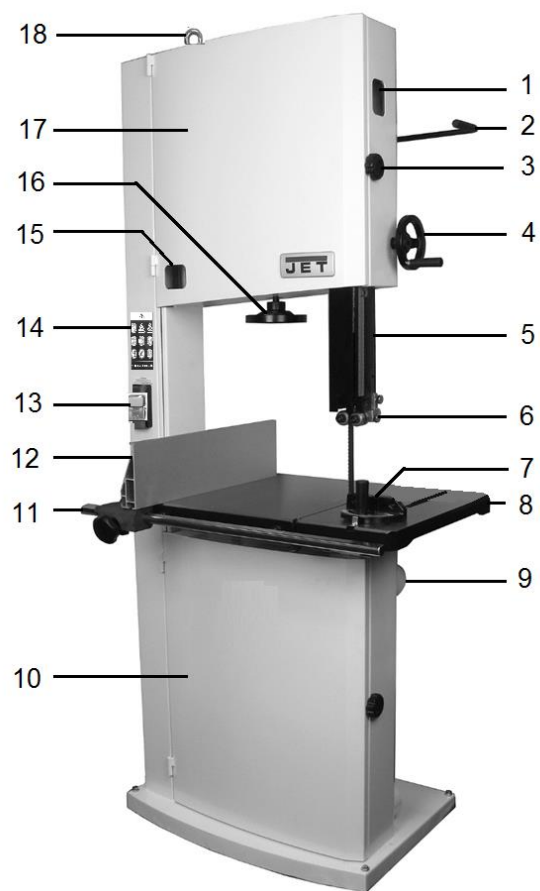


Abb. 1

- 1...Anzeigefenster für Sägeblattführung
- 2...Sägeblattspannhebel
- 3...Türverriegelung
- 4...Handrad für Höhenverstellung
- 5...Führungssäule
- 6...Obere Sägeblattführungen
- 7...Gehrungsanschlag
- 8...Gusseisentisch
- 9...Anschluss für Staubabsaugung
- 10...Untere Radabdeckung
- 11...Schutzleistentragschiene

- 12...Schutzleiste
- 13...Ein/Aus-Magnetschalter
- 14...Warnschild
- 15...Anzeigefenster für Sägeblattspannung
- 16...Bandspann-Handrad
- 17...Obere Radabdeckung
- 18...Hubring

4.2 Technische Daten

JWBS-15:

Raddurchmesser	375 mm
Schnittbreite	max. 360 mm
Schnitthöhe	max. 356 mm
Sägeblattlänge	3380 mm (3350 - 3390 mm)
Sägeblattbreite	3 - 25 mm
Sägeblattstärke	0,5 - 0,7 mm
Sägegeschwindigkeit	760 m/min
Maschinentisch (L x B)	545x405 mm
Tischneigungsbereich	-5° bis 45°
Arbeitshöhe	890 mm
Anschlussdurchmesser Staubabsaugung (2x)	100 mm
Gesamtabmessungen (BxTxH)	750x810x1880 mm
Netzstromversorgung	1 Phase, 230 V, PE, 50 Hz
Motorausgangsleistung	1,1 kW (1,5 HP) S1
Bezugsstrom	8 A
Verlängerungskabel (H05VV-F):	3x1,5 mm ²
Installationssicherung	16 A
Gewicht	172 kg
Netzstromversorgung	3 Phasen, 400 V, PE, 50 Hz
Motorausgangsleistung	1,5 kW (2 HP) S1
Bezugsstrom	3,5 A
Verlängerungskabel (H05VV-F):	5x1,5 mm ²
Installationssicherung	16 A
Gewicht	174 kg
Isolationsschutzklasse	I

JWBS-18:

Raddurchmesser	470 mm
Schnittbreite	max. 457 mm
Schnitthöhe	max. 406 mm
Sägeblattlänge	3810 mm (3785 - 3835)
Sägeblattbreite	3 - 30 mm
Sägeblattstärke	0,6 - 0,8 mm
Sägegeschwindigkeit	580 u. 900 m/min
Maschinentisch (L x B)	690x508 mm
Tischneigungsbereich	-5° bis 45°
Arbeitshöhe	940 mm
Anschlussdurchmesser Staubabsaugung (2x)	100 mm
Gesamtabmessungen (BxTxH)	915x865x2035 mm
Netzstromversorgung	1 Phase, 230 V, PE, 50 Hz
Motorausgangsleistung	1,5 kW (2 HP) S1
Bezugsstrom	8 A
Verlängerungskabel (H05VV-F):	3x1,5 mm ²
Installationssicherung	16 A
Gewicht	214 kg

Netzstromversorgung	3 Phasen, 400 V, PE, 50 Hz
Motorausgangsleistung	2,2 kW (3 HP) S1
Bezugsstrom	5 A
Verlängerungskabel (H05VV-F):	5x1,5 mm ²
Installationssicherung	16 A
Gewicht	217 kg
Isolationsschutzklasse	I

JWBS-20:

Raddurchmesser	514 mm
Schnittbreite	max. 508 mm
Schnitthöhe	max. 406 mm
Sägeblattlänge	4013 mm (3990 - 4035 mm)
Sägeblattbreite	3 - 38 mm
Sägeblattstärke	0,6 - 0,9 mm
Sägegeschwindigkeit	640 u. 1220 m/min
Maschinentisch (L x B)	690x508 mm
Tischneigungsbereich	-5° bis 45°
Arbeitshöhe	940 mm
Anschlussdurchmesser Staubabsaugung (2x)	100 mm
Gesamtabmessungen (BxTxH)	940x845x2235 mm
Netzstromversorgung	1 Phase, 230 V, PE, 50 Hz
Motorausgangsleistung	2,2 kW (3 HP) S1
Bezugsstrom	12 A
Verlängerungskabel (H05VV-F):	3x1,5 mm ²
Installationssicherung	16 A
Gewicht	258 kg
Netzstromversorgung	3 Phasen, 400 V, PE, 50 Hz
Motorausgangsleistung	3,7 kW (5 HP) S1
Bezugsstrom	8,8 A
Verlängerungskabel (H05VV-F):	5x1,5 mm ²
Installationssicherung	16 A
Gewicht	276 kg
Isolationsschutzklasse	I

4.3 Geräuschemission

Ermittelt gemäß EN 1807
(Prüftoleranz 4 dB)
Werkstück aus Buchenholz:
T=30 mm, L=1500 mm, Feuchtigkeit 8,5%

Schalldruckpegel (gemäß EN ISO 3746):	
Leerlauf	LwA 82 dB(A)
Betrieb	LwA 93 dB(A)

Schalldruckpegel (gemäß EN ISO 11202):	
Leerlauf	LpA 74 dB(A)
Betrieb	LpA 87 dB(A)

Bei den angegebenen Werten handelt es sich um Emissionspegel, die nicht notwendigerweise als sichere Betriebspegel zu betrachten sind. Obwohl es eine Korrelation zwischen Emissions- und Immissionswerten gibt, sind diese keine Basis für die Bestimmung der Notwendigkeit zusätzlicher Schutzmaßnahmen. Zu den Arbeitsplatzbedingungen, die Einfluss auf den Schallimmissionswert haben könnten, gehören Resonanzdauer, spezielle räumliche Gegebenheiten, andere Geräuschquellen etc. Dies sind beispielsweise die Anzahl der Maschinen und andere ausgeführte Arbeitsvorgänge. Die am Arbeitsplatz zulässigen Werte können von Land zu Land variieren.

Diese Informationen dienen dazu, dem Anwender eine bessere Vorstellung zum Einschätzen der Gefahren und Risiken zu vermitteln.

4.4 Staubemission

Für diese Bandsäge wurde die Staubemission überprüft.

Bei einer Luftströmungsgeschwindigkeit von 20 m/s am 100 mm großen Anschluss für Staubabsaugung:

Unterdruck 1250 Pa
Volumenstrom 565 m³/h

Diese Maschine erfüllt die Vorgabe von 2 mg/m³ für die Staubemission am Arbeitsplatz.

4.5 Lieferumfang

Bandsäge
Schutzleistenhalter – A
Profilschutzleiste – B
Tisch – C
Tischeinsatz – D
Führungsschiene – E
Hubring – F
Handrad mit Kurbel – G
Gehrungsanschlag – H
Sägeblatt
Bedienungsanleitung
Ersatzteilliste

Montageteilsatz, enthält:

2x Innensechskantschrauben – HP1
2x Beilagscheiben – HP2
4x Sechskantschrauben – HP3
4x Sicherungsscheiben – HP4
4x Beilagscheiben – HP5
1x Tischschlitz-Kurbleinheit – HP6

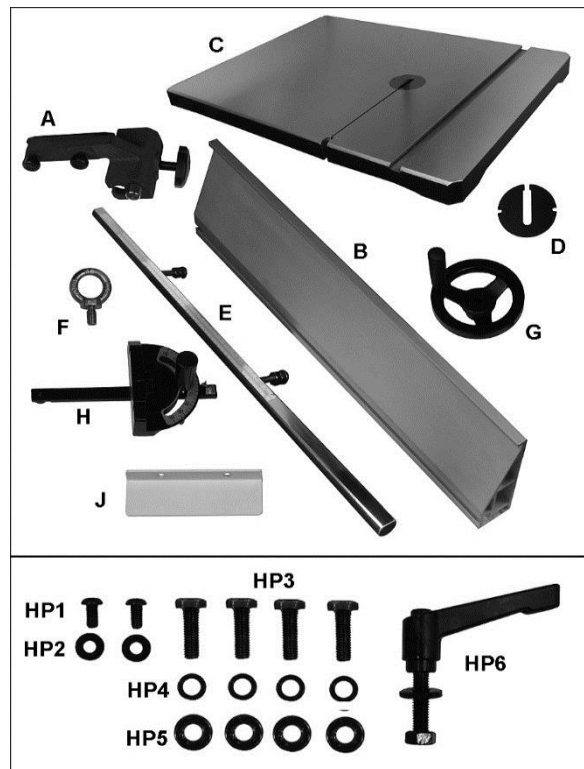


Abb. 2

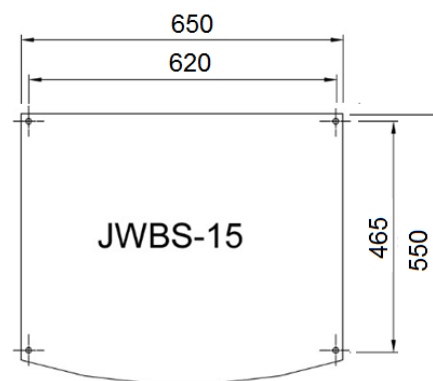
5. Transport und Inbetriebnahme

5.1 Transport und Aufstellung

Die Maschine wird in einer offenen Kiste geliefert. Zum Transport einen Gabelstapler oder einen Handtransportwagen verwenden. Sicherstellen, dass die Maschine während des Transports nicht kippt oder herunterfällt.

Die Maschine ist für den Betrieb in geschlossenen Räumen ausgelegt und muss stabil und sicher auf einer festen und ebenen Fläche aufgestellt werden.

Die Maschine kann, falls erforderlich, am Boden verschraubt werden (Abb. 3).



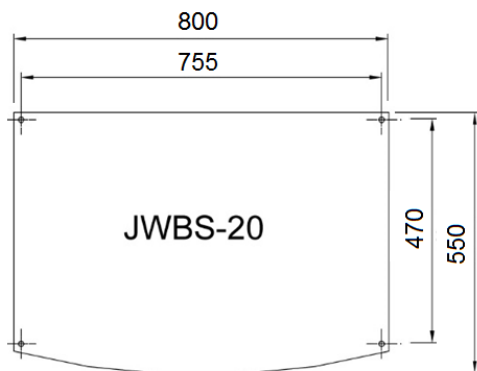
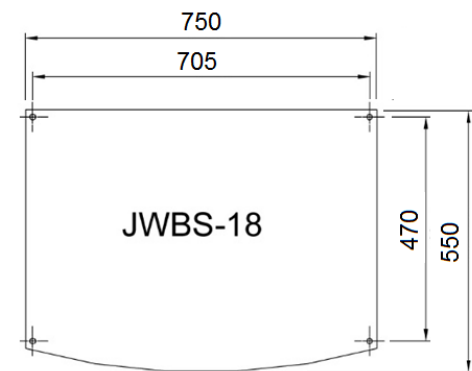


Abb. 3

Aus verpackungstechnischen Gründen ist die Maschine nicht vollständig montiert.

5.2 Montage

Falls Sie beim Auspacken der Maschine Transportschäden bemerken, verständigen Sie sofort Ihren Zulieferer. Die Maschine nicht in Betrieb nehmen!

Die Verpackung umweltfreundlich entsorgen.

Alle mit Rostschutzmitteln versehenen Oberflächen mit einem milden Lösungsmittel von dieser Rostschutzschicht säubern.

Handrad anbringen:

Das Handrad (G, Abb. 4) anbringen und die zwei Klemmschrauben anziehen.

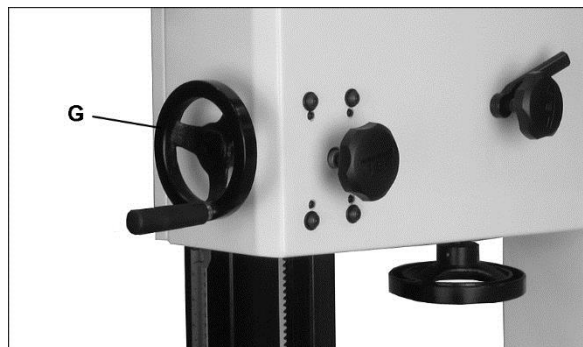


Abb. 4

Tisch anbringen:

Den Tisch so anbringen, dass das Sägeblatt ohne Berührung durch den Schlitz läuft (A, Abb. 5).

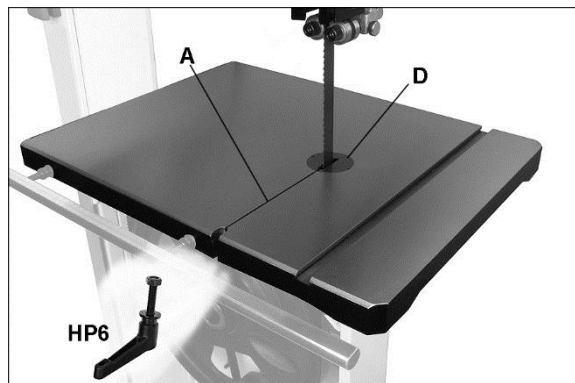


Abb. 5

Die vier Sechskantschrauben und die Sicherungsscheiben und Beilagscheiben einsetzen (Abb. 6). Die Schrauben zunächst nur handfest festziehen.



Abb. 6

Prüfen, ob der Tisch parallel zum Sägeblatt ausgerichtet ist:

Das Sägeblatt spannen und ein langes Haarlineal am Sägeblatt anlegen (Abb. 7).

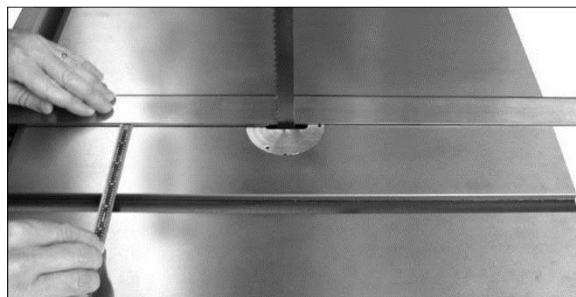


Abb. 7

Verläuft der Gehrungsschlitz nicht parallel zum Sägeblatt, muss der Tisch verstellt werden.

Die vier Schrauben (Abb. 6) ganz festziehen.

Den Tischeinsatz (D, Abb. 5) anbringen und den Einsatz bündig mit dem Tisch ausrichten.

Die Schlitzkurbel (HP6, Abb. 5) anbringen und festziehen.

Schutzleistenführungsschiene anbringen:

Die Führungsschiene (E, Abb. 8) am Tisch montieren.

Unter Verwendung der mitgelieferten Muttern und Unterlegscheiben befestigen.

Erst ganz anziehen, wenn die im folgenden Abschnitt beschriebenen Schutzleistenjustierungen abgeschlossen sind.



Ansicht des Bereichs unter dem Tisch

Abb. 8

Schutzleiste anbringen und einstellen:

Den Schutzleistenhalter (A, Abb. 9) auf die Führungsschiene schieben und den Schutzleistenhalter zur rechten Seite des Sägeblatts schieben.

Die Profilschutzleiste (B) anbringen und mit den zwei Knäufen (A1) anbringen.

Schutzleiste gegen die Kante des Gehrungsschlitzes drücken und dann die Kurbel (A2) festziehen. Die Schutzleiste muss parallel zum Gehrungsschlitz ausgerichtet sein.

Ist eine Korrekturereinstellung erforderlich, die Sechskantschrauben an den Führungsschienenbolzen (A3) lösen und wie erforderlich drehen.

Die Muttern anziehen.

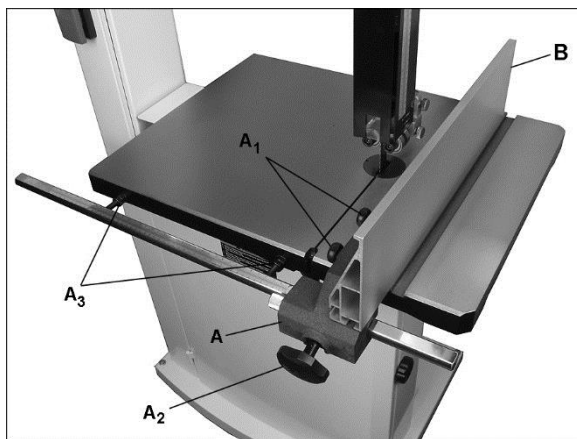


Abb. 9

Tischhalterung anbringen (nur bei JWBS-20):

Die Halterung (J, Abb. 10) auf der linken Seite des Tisches anbringen.

Bündig mit der Tischoberfläche ausrichten und Schrauben festziehen.

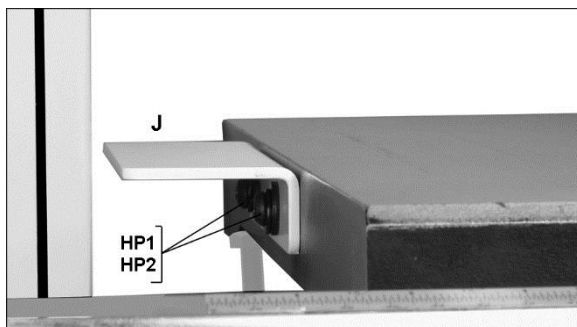


Abb. 10

Gehrungsanschlag anbringen:

Den Gehrungsanschlag in den Tischtischschlitz einschieben.

Mit einem Winkelmaß prüfen, ob die Fläche des Gehrungsanschlages im rechten Winkel zum Tischtischschlitz ausgerichtet ist (= im rechten Winkel zur Profilschutzleiste).

Ist der Gehrungsanschlag nicht rechtwinklig ausgerichtet, den Feststellknopf (H1, Abb. 11) lösen und korrekt einstellen.

Steht der Zeiger nicht auf 90 Grad, die Schraube (H2) zum Justieren lösen.

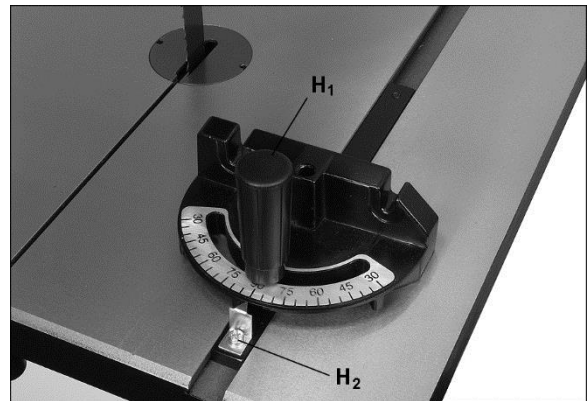


Abb. 11

Aluminium-Profilschutzleiste justieren

Die Knäufe (A1, Abb. 12) lösen, um die Aluminium-Profilschutzleiste korrekt zu justieren.

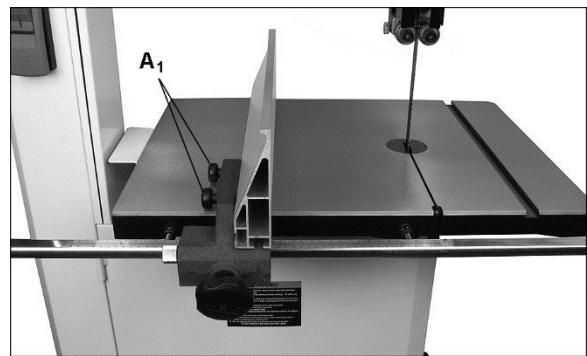


Abb. 12: vertikal

Die Profilschutzleiste kann in zwei verschiedenen Ausrichtungen installiert werden, vertikal (Abb. 12) oder horizontal (Abb. 13).

Die horizontale Ausrichtung ist bei kleineren Werkstücke und schmale, nicht tiefen Sägeschnitten hilfreich.

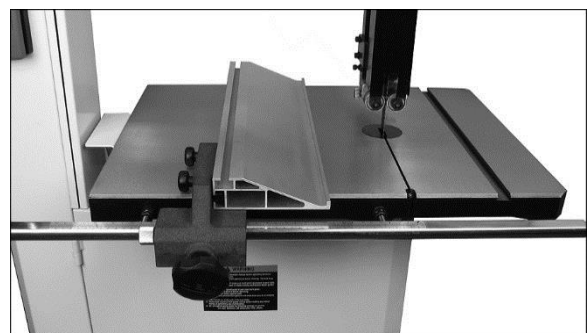


Abb. 13: horizontal

Feinjustierung der Schutzleiste:

Den Schutzleistenfeststellknopf (A, Abb. 14) lösen.

Den Knopf (B) lösen.

Schutzleiste grob positionieren.

Den Knauf (B) festziehen.

Den Rändelknopf (C) zur Feinjustierung drehen.

Wenn die gewünschte Justierung erreicht ist, den Schutzleistenfeststellknauf (A) wieder festziehen.

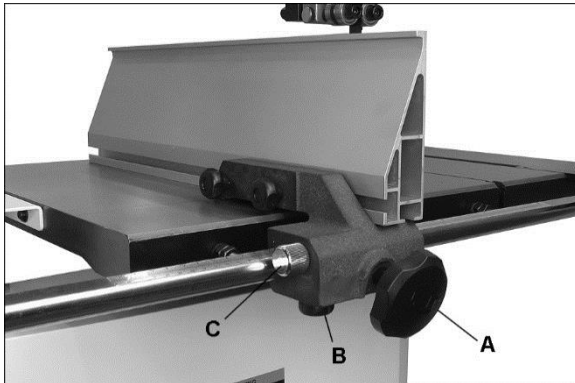


Abb. 14

Tischneigung:

Zum Neigen des Tisches die Feststellkurbel (D, Abb. 15) lösen und den Knauf (E) drehen.

Entsprechend der Skala (G) justieren.

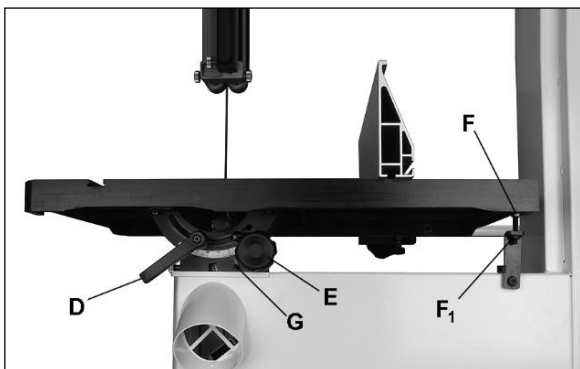


Abb. 15

Der 90°-Tischanschlag (F) muss weggeschwenkt werden, um den Tisch nach links neigen zu können.

Den Arretierhebel (D) festziehen.

90°-Tischanschlag justieren:

Der 90°-Tischanschlag (F) muss so justiert werden, so dass der Tisch im rechten Winkel zum Sägeblatt steht.

Einen Flachwinkel zur Überprüfung am Sägeblatt anlegen (Abb. 16).

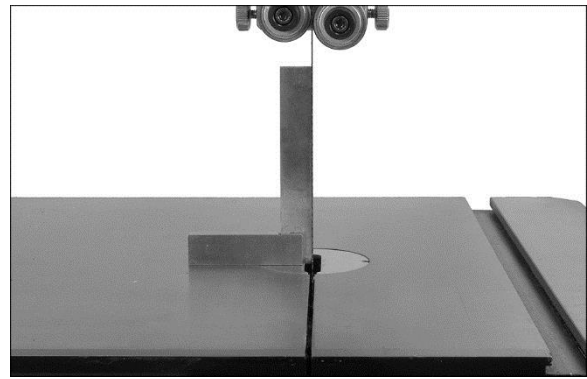


Abb. 16

Die Mutter (F1, Abb. 15) zum Einstellen des Anschlags lösen.

Tischeinsatz nivellieren:

Den Tischeinsatz ausbauen, um die Klemmschrauben im Tisch zugänglich zu machen.

Die Schrauben wie erforderlich drehen, bis der Einsatz in einer Flucht mit der Tischoberfläche positioniert ist.

5,3 Netzanschluss

Der Netzanschluss und alle Verlängerungs-/Anschlusskabel und -stecker müssen den Anforderungen auf dem Kennschild der Maschine entsprechen.

Der Netzanschluss muss über eine träge Sicherung (16A) verfügen.

Nur Netzkabel mit der Kennung H07RN-F mit Leitern mit einem Querschnitt von mindestens 1,5 mm² verwenden.

Netzkabel und Netzstecker müssen frei von Fehlern und Beschädigungen sein.

Anschlüsse und Reparaturen der elektrischen Ausrüstung dürfen ausschließlich von qualifizierten Elektrikern durchgeführt werden.

ACHTUNG:

-Vor dem Einschalten der Maschine und dem Starten des Betriebs zunächst prüfen, ob das Sägeblatt gespannt ist und frei durchläuft und ob alle Sicherheitseinrichtungen angebracht sind.

- Ist die Drehrichtung nicht korrekt, muss der Phasenumwandler im Inneren des CEE-Euro-Steckers hineingedrückt und um 180° gedreht werden.

(Das Sägeblatt muss nach unten zum Tisch laufen.)

5.4 Anschluss für Staubabsaugung

Vor dem erstmaligen Starten des Betriebs muss die Maschine an ein Staubabsaugsystem angeschlossen werden. Die Absaugung muss beim Einschalten der Bandsäge automatisch anlaufen.

Der Durchfluss an der Ansaugöffnung muss 20 m/s betragen. Die angeschlossenen Flexschläuche dürfen nicht brennbar oder entzündlich sein und müssen mit dem Erdungssystem der Maschine verbunden sein.

5.5 Starten des Betriebs

Die Maschine kann mit dem grünen Einschalter (ON) (Abb. 18) gestartet werden. Bei Betätigung des roten Ausschalters (OFF) am Hauptschalter wird der Maschinenbetrieb gestoppt.



Abb. 18

Bei Überlastung der Maschine wird der Überlastabschaltung des Motors ausgelöst. Nachdem die Maschine etwa 10 Minuten abgekühlt hat, kann ihr Betrieb wieder gestartet werden.

6. Bedienung der Maschine

Korrekte Bedienposition:

Vor der Maschine stehend, in Sägerichtung.

Vorbereitung des Sägevorgangs:

Die obere Sägeblattführung in einen Abstand von ca. 3 mm zum Werkstück bringen (Abb. 19).

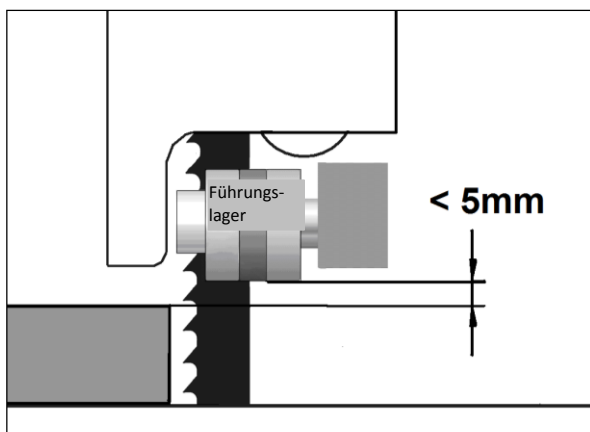


Abb. 19

Zur Gewährleistung Ihrer eigenen Sicherheit müssen Sie die Sägeblattführung so nah wie möglich am Werkstück positionieren.

Nur mit einem scharfen und fehlerfreien Sägeblatt arbeiten.

Sicherstellen, dass das Sägeblatt korrekt gespannt ist und einwandfrei geführt wird.

Sicherstellen, dass die Sägeblattführungen korrekt eingestellt sind.

Bei Verwendung der Schutzleiste diese in die korrekte Position bringen und an der Führungsschiene verriegeln. Nur mit sicher angebrachter und eingerasteter Schutzleiste arbeiten.

Bei Längssägearbeiten mit geringer Sägebreite und nicht tiefen Einschnitten unter Verwendung der Schutzleiste muss das Schutzleistenprofil in die Horizontalposition gebracht werden (siehe Abb. 13).

Die Bandsäge einschalten und warten, bis das Sägeblatt die volle Laufgeschwindigkeit erreicht hat.

Handhabung des Werkstücks:

Das Werkstück mit außerhalb des Sägebereichs flach auf das Werkstück gelegten Händen festhalten.

Das Werkstück dem Sägeblatt in Richtung der Sägelinie zuführen und das Werkstück nach Bedarf drehen, um der gezogenen Linie zu folgen.

Das Werkstück gleichmäßig nach vorne weiterschieben; den Sägevorgang in einem Zug ausführen; nicht wieder neu ansetzen.

Das Werkstück möglichst nicht zurückziehen. In diesem Fall könnte das Sägeblatt von den Rädern herunterlaufen.

Lange und breite Werkstücke müssen mit einem Rollgang abgestützt werden.

In der Nähe des Sägebereichs muss ein Schiebestock für die Zuführung verwendet werden, damit sich Ihre Hände dem Sägeblatt nicht zu sehr annähern.

Entlastungsschnitte vornehmen, wann immer diese erforderlich sind. Ein Entlastungsschnitt ist ein zusätzlicher Schnitt durch den Verschnittbereich des Sägeguts.

Zur sicheren Führung von kleinen und schmalen Werkstücken eine Zuführschablone verwenden.

Damit Rundholz beim Sägevorgang nicht infolge des Sägedrucks wegrollt, ist ein geeigneter Feststellkeil zu verwenden.

Sägeblatt-Abtrift:

Die Abtrift des Sägeblatts ist beim Längssägen und während des Nachschnittvorgangs ein häufig anzutreffendes Problem.

Bei Verwendung der Schutzleiste kann es zu Sägeblatt-Abtrift kommen. Das Sägeblatt beginnt von der Sägelinie aus zu "wandern" (Abb. 20).

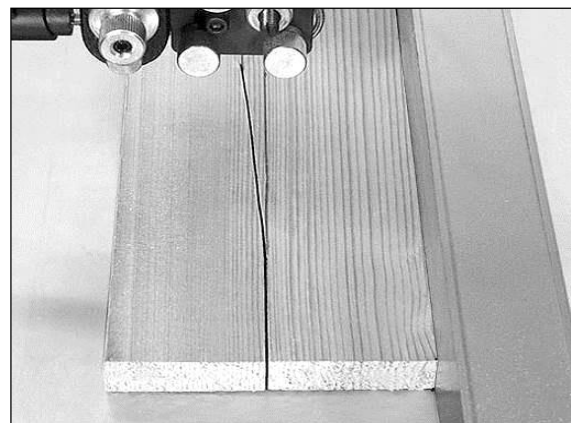


Abb. 20

Sägebandabtrift kann durch eine Vielzahl von Faktoren verursacht werden.

- Das Sägeblatt folgt der Maserung
- Das Sägeblatt ist stumpf.
- Die Sägeblattführungen sind nicht korrekt justiert.

- Sägeblattspannung nicht ausreichend.
- Sägeblattzähne asymmetrisch

Längssägen (Abb. 21)

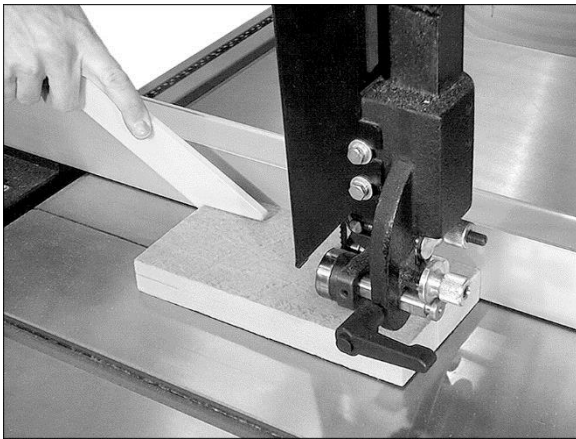


Abb. 21

Quersägen (Abb. 22)

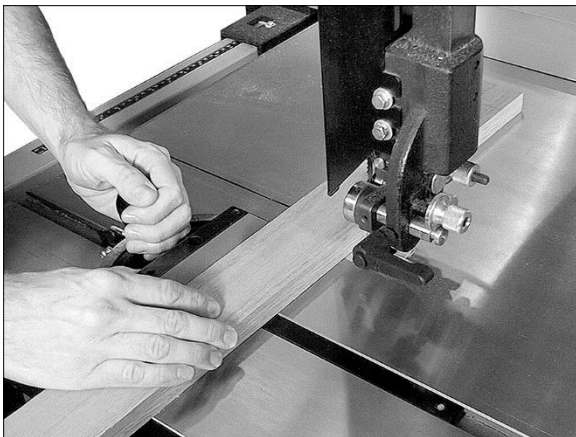


Abb. 22

Nachschnitt (Abb. 23)

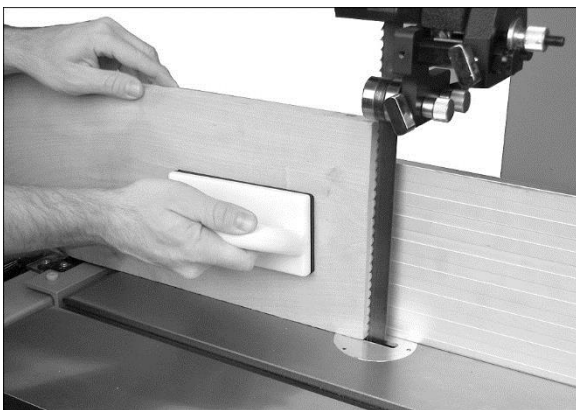


Abb. 23

Zur bestimmungsgemäßen Verwendung der Maschine siehe Anhang A "Sichere Bedienung" (auf den letzten Seiten dieser Bedienungsanleitung)

- A.1: Hochschnitt
- A.2.: Diagonalschnitt
- A.3.: Zapfenschnitt

A.4.: Keilschnitt

A.5.: Kurvenschnitt

A.6.: Kreisbogenschnitt

A.7.: Schablouenschnitt

A.8.: Kreisschnitt

A8.1 Einrichten ohne Werkstück

A8.2 Platzieren des Werkstücks

A8.3 Bearbeitung

7. Einrichtung und Einstellungen

Allgemeiner Hinweis:

Einricht- und Einstellarbeiten dürfen nur ausgeführt werden, nachdem die Maschine durch Ziehen des Netzsteckers gegen versehentliches Einschalten gesichert wurde.

7.1 Auswahl des Sägeblatts

Das Sägeblatt muss den technischen Vorgaben und Spezifikationen entsprechen.

Das jeweils geeignete Sägeblatt entsprechend dem Sägevorgang und dem zu sägenden Material auswählen.

Für hohe Längsschnitte:

- ein breites Sägeblatt mit grober Zahnung verwenden (z.B. 20 mm, 3 T/")

Für schmalen Kurvenschnitt:

- ein schmales Sägeblatt verwenden (z.B. 3 mm, 14 T/")

Zahnteilung:

Die Zahnteilung darf nicht kleiner als nötig sein, da die Vorschubgeschwindigkeit abnimmt, wenn das Werkstück von zu vielen Zähnen gleichzeitig bearbeitet wird. Infolgedessen nutzt sich das Sägeblatt schnell ab.

Ideal ist es, wenn 3 bis 12 Zähne gleichzeitig in das Material eingreifen (Abb. 24).

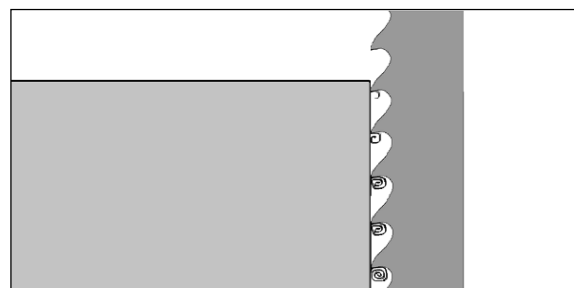
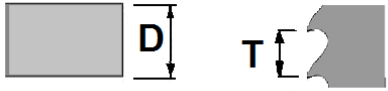


Abb. 24

In der folgenden Tabelle sind die empfohlenen Sägeblattzahnteilungen im Verhältnis zur Werkstückstärke aufgeführt (Abb. 25).



D mm	T / "	T mm
< 20	14	1.8
< 40	8	3.2
< 60	6	4.2
20 - 100	4	6.3
30 - 150	3	8.5
> 150	2	12.7

Abb. 25

Zahnform:

Die Zahnform wirkt sich auf die Zerspanungsleistung und die Vorschubgeschwindigkeit aus. In der folgenden Tabelle sind die üblicherweise verwendeten Zahnformen dargestellt (Abb. 26):

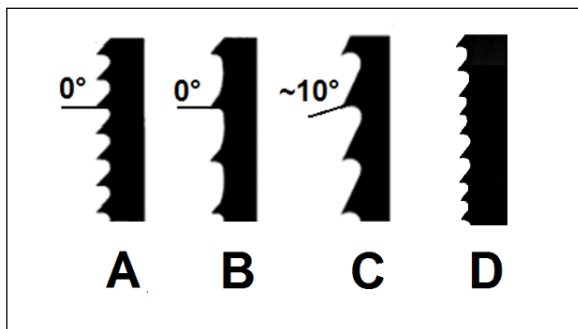


Abb. 26

A- Standardzahn:

Die am häufigsten verwendete Zahnform. Spanwinkel 0°. Geeignet für Trenn- und Umriss sägen bei den meisten Materialien. Für Sägematerialien, bei denen Feinschnitt erforderlich ist.

B - Zahnücke:

Größere Abstände zwischen den Zähnen zur Vermeidung von Zusetzung. Spanwinkel 0°. Für Nachschnitt und Längssägen an Sägegut mit großer Dicke, insbesondere Weichhölzer.

C- K-Zahn:

Große Zähne und positiver Spanwinkel, für aggressive, schnelle Schnitte. Für Nachschnitt und Längssägen an Sägegut mit großer Dicke, insbesondere Harthölzer.

D- Variabler Zahn:

Variable Zahnform und -abstand für sanfte Schnitte und Vibrationsdämpfung.

Geschränkt:

Die Sägezähne sind aus der Ebene der Sägelängsachse heraus geneigt, was einen breiten Einschnitt in das Werkstück bewirkt. Dadurch wird Reibung gemindert und es sind Kurvenschnitte möglich.)

Die abwechselnde Schrängung (Y, Abb. 27) wird bei Sägeblättern für das Sägen von Holz am häufigsten verwendet.

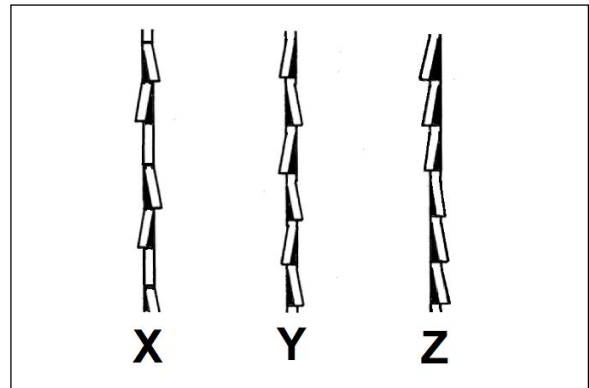


Abb. 27

X- Standardschrängung

Y- abwechselnde Schrängung

Z- Wellenschrängung

Sägeblattbreite:

Ein möglichst breites Sägeblatt verwenden, außer beim Umriss sägen.

In der folgenden Tabelle wird das Verhältnis zwischen Sägeblatt und kleinstem Schneidradius dargestellt (Abb. 28).

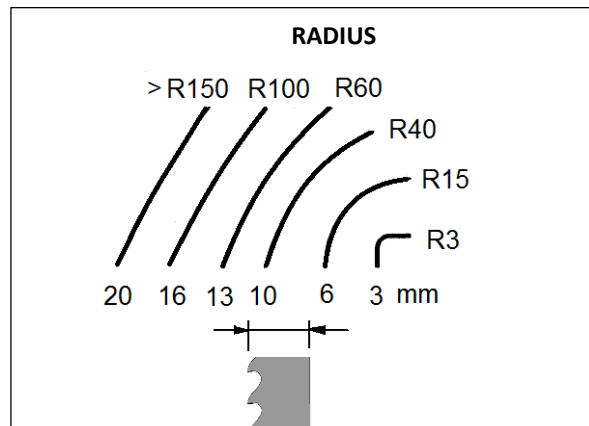


Abb. 28

Sägeblattwerkstoff:

- Kohlenstoffstahl
- Legierungsstahl
- Bimetall (Schnellarbeitsstahl-Zähne auf Legierungsstahl-Körper)
- mit Hartmetallschneide.

7.2 Wechseln des Sägeblatts

Das Sägeblatt vor dem Einbau auf Fehler (Risse, abgebrochene Zähne, Verformung) prüfen. Keine fehlerhaften Sägeblätter verwenden.

Die Sägeblattzähne müssen in die Schnittrichtung (nach unten) zeigen.

Bei der Handhabung von Sägeblättern und Sägebändern stets geeignete Schutzhandschuhe tragen.

Ausbauen des Sägeblatts:

Die Radabdeckungen öffnen.

Den Tischeinsatz (D, Abb. 29) und die Schlitzkurbelbaugruppe (E) ausbauen.

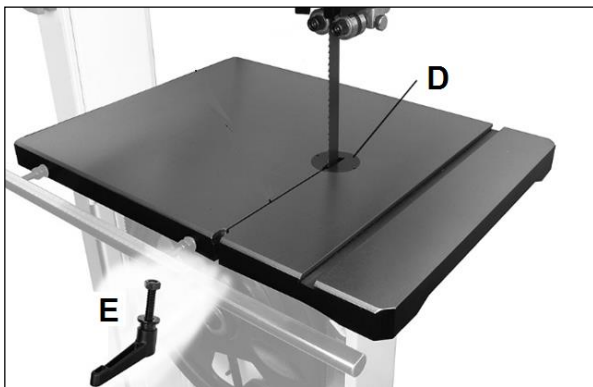


Abb. 29

Die Sägeblattspannung entlasten, indem der Schnellspannhebel (Q, Abb. 30) betätigt und das Handrad für die Sägeblattspannung (L) gedreht wird.



Abb. 30

Die Sägeblattschutzabdeckungen öffnen (Abb. 31, Abb. 32).

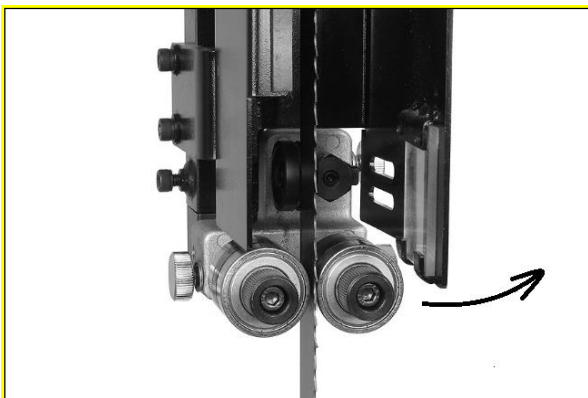


Abb. 31

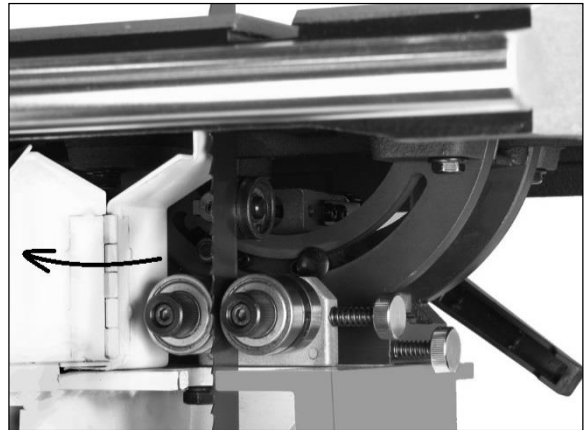


Abb. 32

Den Staubabsaugblock (J, Abb. 33) ausbauen.

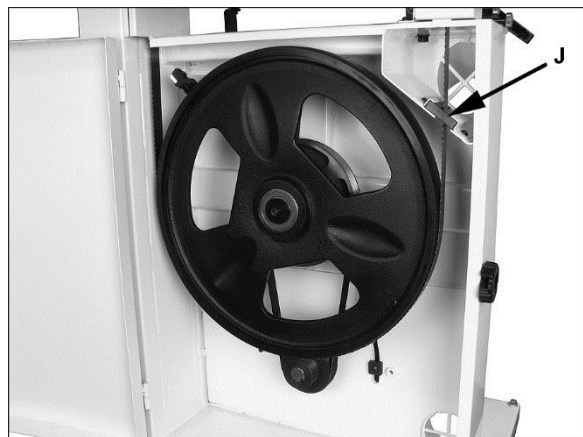


Abb. 33

Das neue Sägeblatt anbringen.

Nach dem Anbringen des neuen Sägeblatts dieses ausreichend straffen.

Orientieren Sie sich an der Skala (M, Abb. 34).

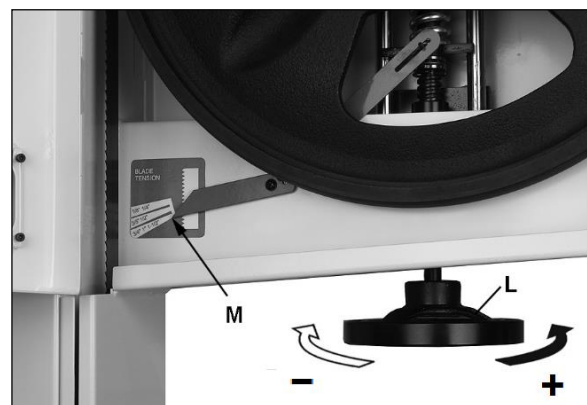


Abb. 34

Den Staubabsaugblock (J) einbauen.

Die Sägeblatt-Schutzabdeckungen wieder anbringen.

Die Radabdeckungen wieder anbringen.

7.3 Justieren der Sägeblattführung

Die Sägeblattführung keinesfalls bei laufender Maschine einstellen.

Das Sägeblatt muss mittig auf den Gummireifen laufen (Abb. 35).

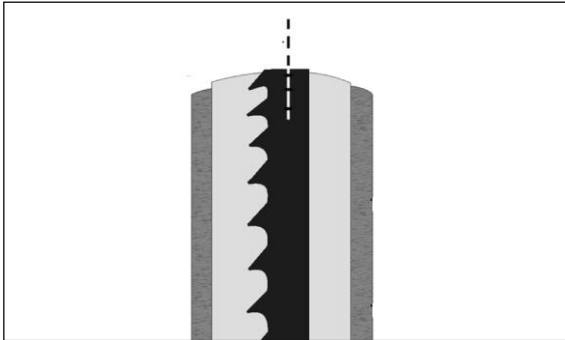


Abb. 35

Die Führungssäule absenken, bis das Sägeblatt im Anzeigefenster für die Sägeblattführung sichtbar ist (O, Abb. 36).

Den Arretierhebel (P) lösen.

Die Sägeblattführung kann mit dem Knopf (R) auf der Rückseite der Maschine eingestellt werden.



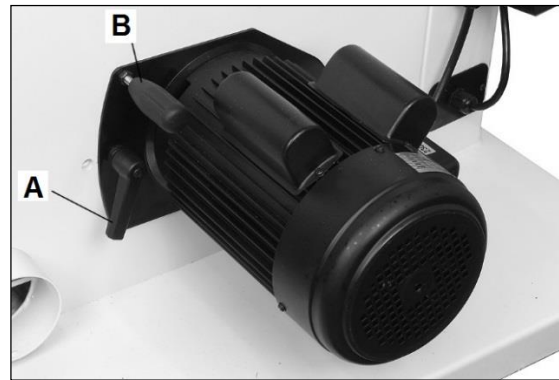
Abb. 36

Den Arretierhebel anziehen.

Hinweis:

Vor dem Austauschen des Sägebands / Einstellen der Bandführung bei Bandsägen mit Bremse zunächst den Riemen entspannen.

1. Die Maschine von der Stromquelle trennen.
2. Den Arretierhebel (A, siehe Abbildung unten) lösen.
3. Den Motor mit dem Griff (B) anheben, bis der Riemen an der Riemenscheibe gelockert ist, dann den Arretierhebel (A) anziehen.
4. Nun kann das Sägeband gewechselt oder dessen Führung eingestellt werden.
5. Den Arretierhebel (A) erneut lösen und den Riemen durch Herunterdrücken des Griffs (B) mit moderatem Druck wieder spannen.
6. Den Arretierhebel (A) festziehen.



7.4 Sägeblattspannung einstellen

Die Sägeblattspannung wird mit dem Handrad für die Sägeblattspannung eingestellt (L, Abb. 37).

Das installierte Sägeblatts ausreichend spannen.

Orientieren Sie sich an der Skala (M, Abb. 34).

Schnellspannhebel:

Für den Betrieb der Maschine den Schnellspannhebel (Q, Abb. 37) in die Stellung (X) für volle Spannung umlegen.

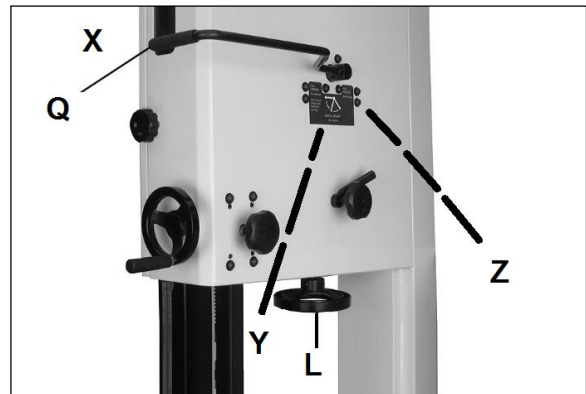


Abb. 37

Hinweis:

Wird die Bandsäge längere Zeit nicht verwendet, den Schnellspannhebel in die Stellung (Y) für niedrige Spannung umlegen. Dadurch kann die Lebensdauer des Sägeblatts verlängert werden.

Zum Auswechseln des Sägeblatts den Hebel in die Freigabestellung (Z) umlegen.

Einstellen des Schnellspannhebels:

Mit dem Schnellspannhebel (Q) können Sie einstellen, wie viel Spannung bei der Hebelbetätigung entlastet wird.

Zum Einstellen des Schnellspannhebels muss das Sägeblatt ausgebaut werden.

Den Spannhebel in die Stellung (X) für volle Spannung umlegen.

JWBS-15 und JWBS-18: Die Einstellschraube (A, Abb. 38) drehen, bis der Spalt zwischen der Schraube und dem Radwellenscharnier 3 bis 5 mm beträgt.

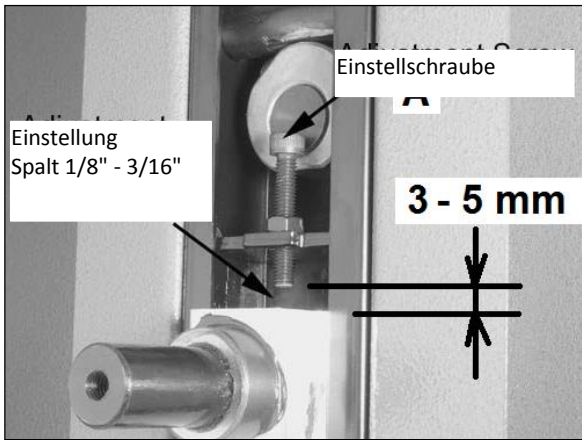


Abb. 38

JWBS-20: Die Anschlagbuchse (B, Abb. 39) drehen, bis der Spalt zwischen Anschlagbuchse und dem Radwellenscharnier 3 bis 5 mm beträgt.

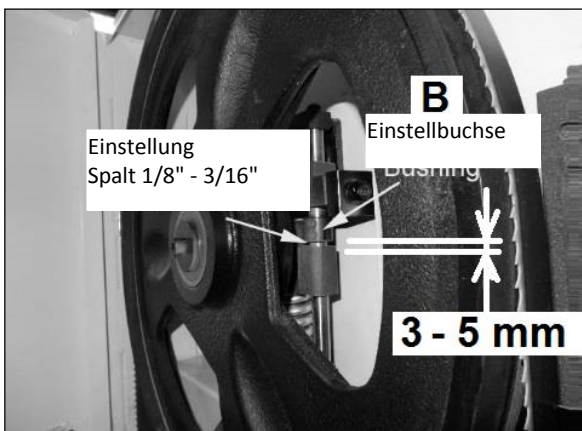


Abb. 39

Führungssäule einstellen:

Die Führungssäule wurde werkseitig voreingestellt.

Sie muss parallel zum Sägeblatt ausgerichtet sein, damit das Verhältnis Führungslager/Sägeblatt stets gleich bleibt.

Zum Justieren die Schrauben (O, Abb. 40) etwas lösen und die Stellschrauben (P) langsam drehen.



Abb. 40

7.5 Einstellung der Sägeblattführung

Die Sägeblattführung keinesfalls bei laufender Maschine einstellen.

Obere Sägeblattführung:

Den Feststellknopf (F, Abb. 42) lösen.

Die Führungseinheit so weit nach vorne/hinten verschieben, dass die Zähne in einem Abstand von ca. 2 mm zu den Führungsrollen bleiben (Abb. 41).

Den Feststellknopf (I, Abb. 42) lösen.

Die hintere Führungsrolle so einstellen, dass der Abstand zum Sägeblatt 1 mm beträgt (Abb. 41).

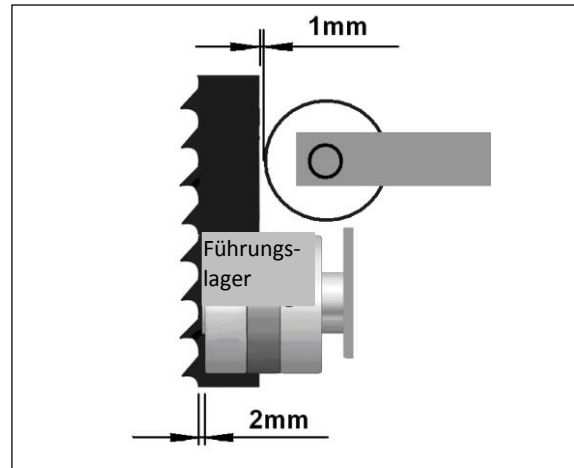


Abb. 41

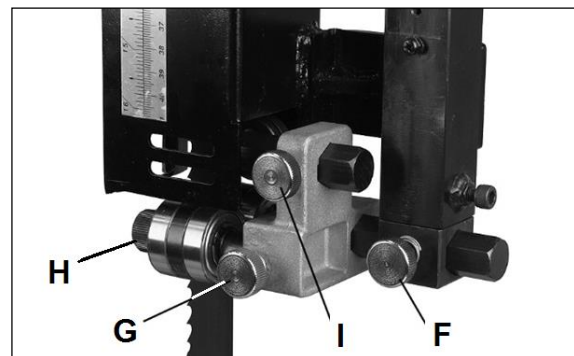


Abb. 42

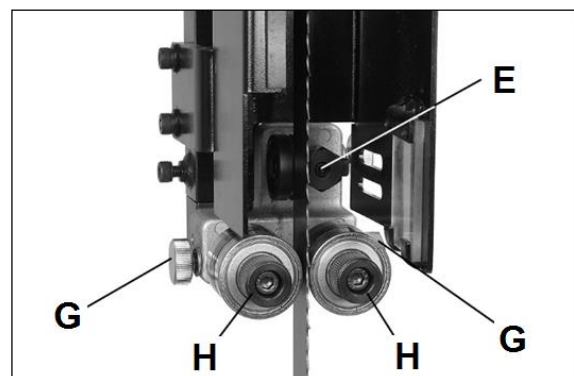


Abb. 43

Untere Sägeblattführung:

Den Feststellknopf (L, Abb. 44) lösen.

Die Führungseinheit so weit nach vorne/hinten verschieben, dass die Zähne in einem Abstand von ca. 2 mm zu den Führungsrollen bleiben (Abb. 41).

Die Rändelmutter (O, Abb. 45) lösen.

Die hintere Führungsrolle mit der Einstellschraube (P) so justieren, dass der Abstand zum Sägeblatt 1 mm beträgt (Abb. 41).

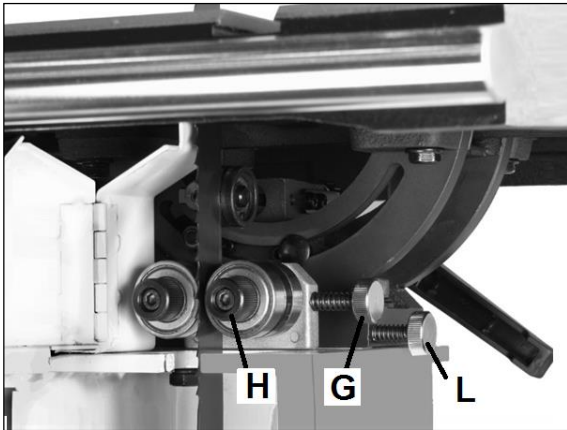


Abb. 44

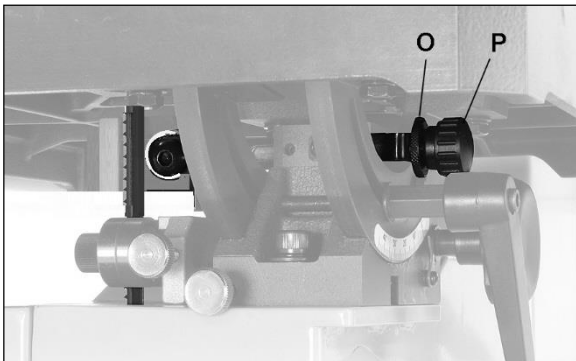


Abb. 45

Obere und untere Sägeblattführung:

Die hinteren Führungsrollen (J, Abb. 46) sind jeweils mit einer Rille versehen, die in einer Flucht mit dem Sägeblatt ausgerichtet sein muss.

Den Gewindestift (E) lösen, um die Rollenposition einzustellen.

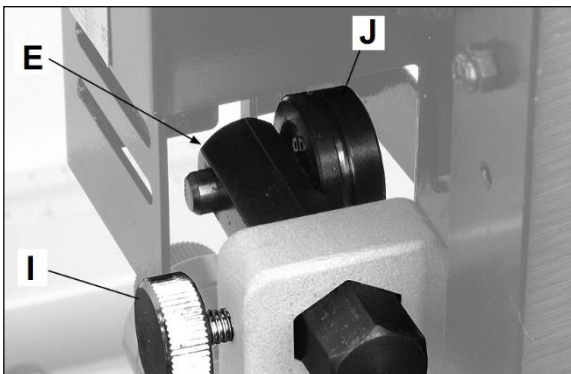


Abb. 46

Die seitlichen Führungslager so einstellen, dass sie das Sägeblatt leicht berühren.
Das Sägeblatt darf dabei nicht aus seiner Position herausgedrückt werden.

Die Feststellknäufe (G) lösen.

Die seitlichen Führungslager durch Drehen der Rändelknöpfe (H) einstellen.

Hinweis:

Die seitlichen Führungslager so einstellen, dass sie das Sägeblatt leicht berühren.

Mithilfe eines Geldscheins, der zwischen Sägeblatt und Führungslager gelegt wird, kann der erforderliche Abstand (ca. 0,1 mm) schnell ermittelt werden (Abb. 47).



Abb. 47

Alle Befestigungselemente festziehen.

Testlauf:

Sicherstellen, dass alle Befestigungselemente fest angezogen sind.

Die Sägeblatträder von Hand drehen und die vorgenommenen Einstellungen überprüfen.

Die Maschine einschalten. Vorsichtig vorgehen!

7.6 Einstellen der Sägeblattgeschwindigkeit (JWBS-18 und JWBS-20)

Die Bandsägen JWBS-18 und JWBS-20 können mit zwei verschiedenen Geschwindigkeiten betrieben werden (Abb. 48).

H...Hohe Geschwindigkeit
Für Standardsägevorgänge.

L...Niedrige Geschwindigkeit
Höhere Sägekraft, für hohes Längsschneiden und Sägen von Hartholz.

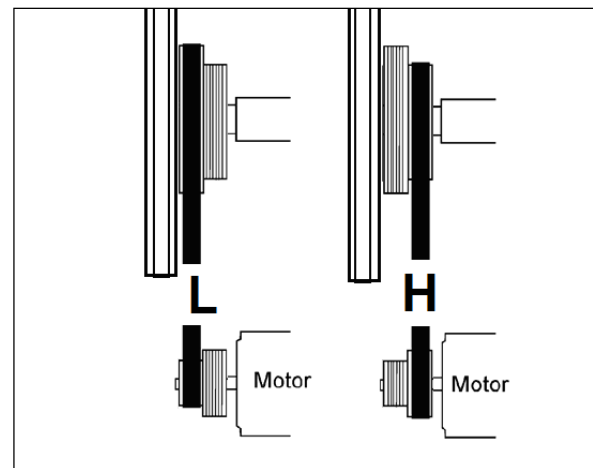


Abb. 48

Geschwindigkeit ändern:

Stromversorgung der Maschine abschalten.

Den Arretierhebel (A, Abb. 49) lösen.

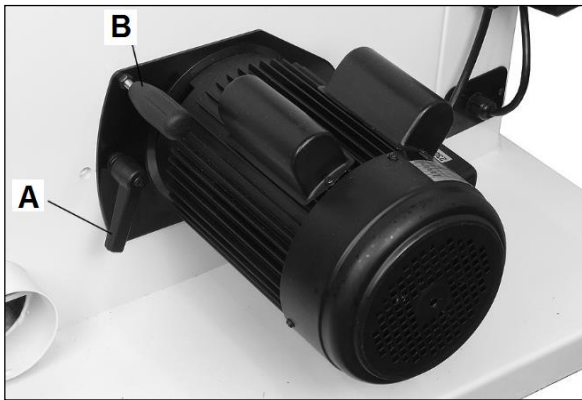


Abb. 49

Den Motor unter Verwendung des Hebels (B) und des Klemmhebels (A) anheben.

Die Radabdeckungen öffnen.

Den Riemen auf den jeweils korrekten Riemenscheibensatz auflegen.

Den Riemen spannen. Dazu den Hebel (B) mit mittelstarkem Druck nach unten drücken.

Den Klemmhebel (A) festziehen.

Die Radabdeckungen wieder anbringen.

7.7 Falten des Sägebands

Wenn das Sägeband gefaltet wird, benötigt es weniger Platz.

Bei der Handhabung von Sägeblättern und Sägebändern stets geeignete Schutzhandschuhe tragen.

Das Sägeband mit einer Hand festhalten. Das Sägeband senkrecht nach unten hängen lassen und zwischen einem Fuß und dem Boden einklemmen. Die Hand um 360° drehen (ein voller Kreis) und das Sägeband dabei nach unten zum Boden hin bewegen (Abb. 50).

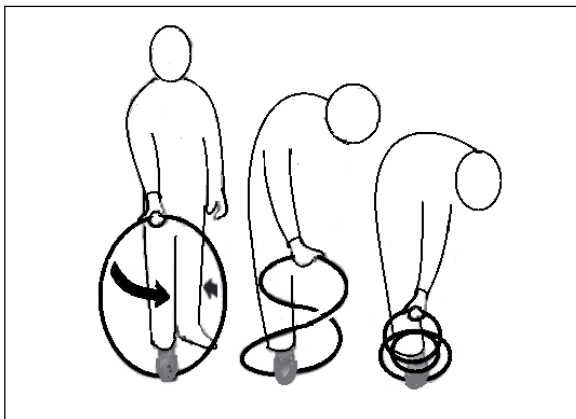


Abb. 50

8. Wartung und Inspektion

Allgemeine Hinweise:

Wartungs-, Reinigungs- und Reparaturarbeiten dürfen nur ausgeführt werden, nachdem die Maschine durch Ziehen des Netzsteckers gegen versehentliches Einschalten gesichert wurde.

Reparatur- und Wartungsarbeiten an der Elektrik dürfen ausschließlich von einem qualifizierten Elektriker durchgeführt werden.

Die Maschine regelmäßig reinigen.

Die Staubabsaugung täglich auf ordnungsgemäße Funktion prüfen.

Alle Schutz- und Sicherheitsvorrichtungen müssen unmittelbar nach Abschluss von Reinigungs-, Reparatur- und Wartungsarbeiten wieder angebracht werden.

Defekte Sicherheitsvorrichtungen müssen umgehend ersetzt werden.

Regelmäßig eine Überprüfung auf korrekte Sägeblattspannung vornehmen. Wird die Maschine längere Zeit nicht verwendet, die Sägeblattspannung entlasten.

Regelmäßig prüfen, ob die Bandführung korrekt eingestellt ist.

Die Sägebänder regelmäßig auf Fehler und Schäden überprüfen. Defekte Sägeblätter und Sägebänder sofort ersetzen.

Rädern:

Die Gummireifen der Räder müssen regelmäßig gereinigt werden.

Der obere Radhalter muss regelmäßig geschmiert werden.

Antrieb:

Regelmäßig eine Überprüfung auf korrekte Riemenspannung vornehmen.

Die Motorbremse funktioniert elektromechanisch (Bremsenmotor).

Dauert ein Abbremsvorgang länger als 10 Sekunden, muss die Motorbremseinheit gegen eine neue ausgetauscht werden. Wenden Sie sich in diesem Fall sofort an Ihre JET-Servicestation.

Riemen auswechseln:

Die Maschine von der Stromquelle trennen.

Die Schraube und die Unterlegscheibe (F, Abb. 51) entfernen.

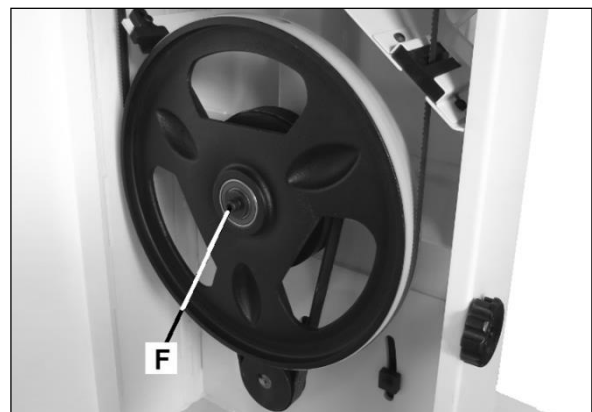


Abb. 51

Das Sägeband-Rad der Bandsäge ausbauen. (Hierzu muss möglicherweise ein Riemenscheibenabziehwerkzeuge verwendet werden).

Den neuen Riemen anbringen.

Wieder einbauen.

Tischeinsatz:

Abgenutzte Tischeinsätze müssen gegen neue ausgetauscht werden.

Der Tischeinsatz (Abb. 52) muss aus einem durchtrennbaren Material bestehen (z.B. Holz, Kunststoff, Aluminium, Messing).

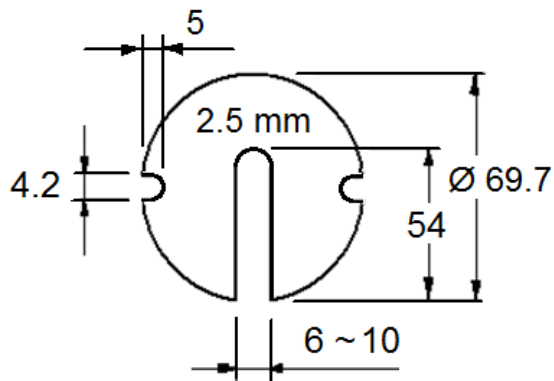


Abb. 52

JET-Teilenummer: JWBS15-1125

Der Tischeinsatz darf nicht über die Tischfläche überstehen.

Sägebänder:

Die Wartung der Sägebänder darf nur von einer entsprechend geschulten Person ausgeführt werden.

Nur scharfe und korrekt angebrachte und gespannte Sägeblätter und Sägebänder verwenden.

Schmierstellen:

Regelmäßig leichtes Universalschmierfett auf Zahnstange und Ritzel auftragen (Abb. 53).

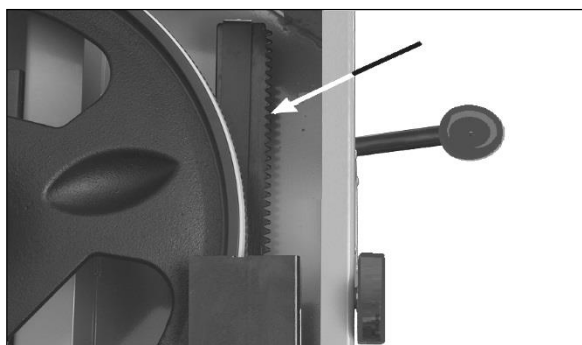


Abb. 53

Auf die Tischdrehzapfen (Abb. 54).

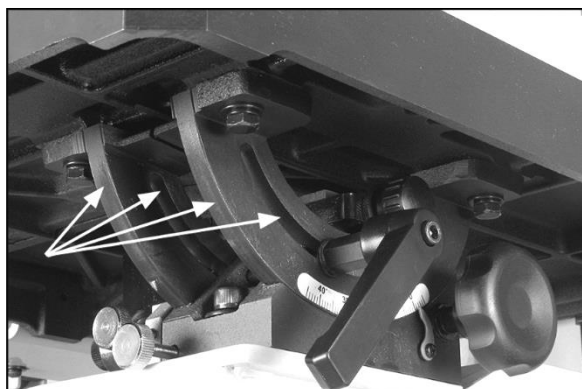


Abb. 54

Auf die Sägeblatt-Spannschraube (Abb. 55).

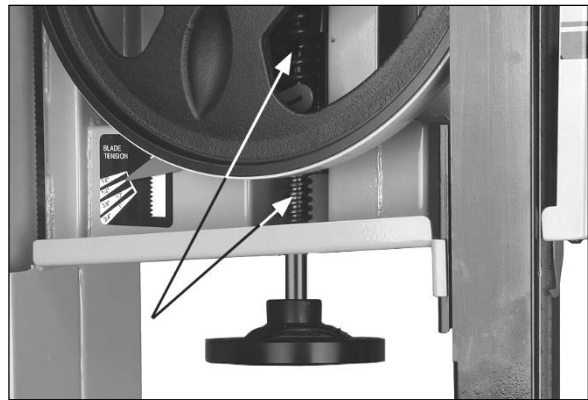


Abb. 55

Hinweis:

Die Lager der Bandsäge sind vorgeschmiert und versiegelt und daher wartungsfrei.

9. Fehlersuche

Motor startet nicht

- *Keine Stromzufuhr-Netzanschluss und Sicherung überprüfen.
- *Schalter, Motor oder Kabel defekt
Einen Elektriker hinzuziehen.
- *Überlastungsschutz wurde ausgelöst-
Warten und dann Betrieb erneut starten.
- *Radabdeckungen nicht geschlossen-

Maschine vibriert ungewöhnlich stark

- *Maschine steht auf unebener Aufstellfläche-
Unebenheit ausgleichen.
- *Staub auf dem Rad-
Reifen säubern.
- *Sägeblatt weist Risse auf-
Sägeblatt sofort austauschen.

Sägeschnitt nicht gerade

- *Tischanschlag nicht korrekt eingestellt.
- *Schlechte Sägebandführung

Schnittflächen fehlerhaft, schlechte Sägequalität

- *Falsches Sägeblatt wurde verwendet
- *Harzablagerungen auf dem Sägeblatt
- *Sägeblatt stumpf
- *Sägebandführung schlecht eingestellt
- *Sägeblattspannung zu niedrig
- *Ungleichmäßigkeiten am Werkstück
- *Zuführdruck zu hoch-
Werkstück nicht mit zu viel Kraft zuführen.

10. Umweltschutz

Schützen Sie die Umwelt.

Ihre Maschine enthält wertvolle Materialien, die zurückgewonnen bzw. wiederverwertet werden können. Bitte die Entsorgung von einem Fachunternehmen ausführen lassen.

11. Verfügbares Zubehör

Zu den verschiedenen Sägeblättern und Sägebändern siehe die JET-Preisliste.

12. Sichere Bedienung

Siehe Anhang A (auf den letzten Seiten dieser Bedienungsanleitung)

A.1: Hochschnitt

A.2.: Diagonalschnitt

A.3.: Zapfenschnitt

A.4.: Keilschnitt

A.5.: Kurvenschnitt

A.6.: Kreisbogenschnitt

A.7.: Schablonenschnitt

A.8.: Kreisschnitt

A8.1 Einrichten ohne Werkstück

A8.2 Platzieren des Werkstücks

A8.3 Bearbeitung

FR - FRANÇAIS

Instructions de fonctionnement

Cher client,

Nous vous remercions pour la confiance que vous nous avez témoignée en achetant votre nouvelle machine JET. Ce manuel a été préparé pour le propriétaire et les opérateurs de la scie à ruban **JET JWBS-15, JWBS-18, JWBS-20** pour promouvoir la sécurité lors des procédures d'installation, de fonctionnement et de maintenance. Veuillez lire et comprendre les informations contenues dans ces instructions de fonctionnement et les documents les accompagnant. Lisez attentivement ce manuel et suivez soigneusement les instructions pour obtenir la durée de vie et l'efficacité maximales de votre machine et pour l'utiliser en toute sécurité.

...Table des matières

1. Déclaration de conformité

2. Garantie

3. Sécurité

Usage autorisé

Consignes de sécurité générales

Autres dangers

4. Spécifications de la machine

Description de la machine

Données techniques

Emissions sonores

Emission de poussières

Contenu de la livraison

5. Transport et démarrage

Transport et installation

Montage

Connexion au secteur électrique

Branchement d'aspiration

Démarrage du fonctionnement

6. Fonctionnement de la machine

7. Réglage et ajustements

Sélection de la lame de la scie

Changement de la lame de la scie

Réglage d'alignement de la lame

Réglage de tension de la lame

Ajustement du guide de la lame

Réglage de la vitesse de la lame

Pliement de la lame de la scie à ruban

8. Inspection et entretien

9. Dépannage

10. Protection environnementale

11. Accessoires disponibles

12. "Fonctionnement correct" Annexe A

1. Déclaration de conformité

Nous déclarons sous notre seule responsabilité que le produit est conforme aux réglementations* listées à la page 2. Conçu en prenant compte des standards**. Examen de type CE*** réalisé par****.

2. Garantie

JPW (Tool) AG garantit que le produit fourni est exempt de défauts matériels et de défauts de fabrication.

Cette garantie ne couvre pas les défauts qui sont causés, directement ou indirectement, par l'utilisation incorrecte, la négligence, les dommages accidentels, la réparation, la maintenance ou le nettoyage incorrects et l'usure normale.

Les détails sur la garantie (période de garantie par exemple) peuvent être trouvés dans les conditions générales (GTC) faisant partie intégrante du contrat. Ces conditions générales peuvent être consultées sur le site web de votre revendeur ou vous être envoyées sur demande.

JPW (Tool) AG se réserve le droit d'effectuer des changements sur le produit et les accessoires à tout moment.

3. Sécurité

3.1 Usage autorisé

Cette scie à ruban est conçue pour scier uniquement du bois, des matériaux dérivés du bois ainsi que des plastiques durs possédant des propriétés similaires au bois.

L'usinage d'autres matériaux est interdit et ne peut être réalisé que dans des cas très spécifiques, uniquement après concertation avec le fabricant.

Aucune pièce métallique ne doit être usinée.

La pièce doit pouvoir être chargée, maintenue et guidée en toute sécurité.

Le bon usage implique la conformité aux instructions de fonctionnement et de maintenance fournies dans ce manuel.

La machine ne doit être mise en marche que par des personnes familiarisées à son fonctionnement, son entretien et sa réparation et qui en connaissent également les risques.

L'âge minimal nécessaire doit être respecté

La machine ne doit être utilisée que dans un parfait état de fonctionnement.

Lors du fonctionnement de la machine, tous les mécanismes de sécurité et couvercles doivent être montés.

Vous devez vous conformer aux règles techniques concernant le fonctionnement des machines à bois en plus des exigences de sécurité comprises dans ces instructions de fonctionnement et des réglementations applicables à votre pays.

Toute autre utilisation est strictement interdite. En cas d'usage non autorisé, le fabricant renonce à toute responsabilité qui est transférée à l'opérateur.

3.2 Consignes de sécurité générales

Les machines à bois peuvent être dangereuses si elles ne sont pas utilisées correctement. Par conséquent, les règles techniques générales ainsi que les consignes suivantes doivent être observées.



Lisez attentivement et comprenez tout le manuel d'instructions avant l'installation ou le fonctionnement.



Gardez les instructions de fonctionnement à proximité de la machine, à l'abri de la poussière et de l'humidité, et transmettez-les au nouveau propriétaire si vous vous séparez de l'outil.

Aucun changement ne doit être effectué sur la machine.

Contrôlez quotidiennement la fonction et l'existence des dispositifs de sécurité avant de démarrer la machine.

Ne faites pas fonctionner dans le cas contraire ; protégez la machine en débranchant le câble principal.

Avant de faire fonctionner la machine, retirez les cravates, les bagues, les montres et autres bijoux et retrousser les manches jusqu'au-dessus des coudes.

Enlevez tout vêtement ample et attachez les cheveux longs.

Portez des chaussures de sécurité ; ne portez jamais de sandales ou de chaussures de ville.

Portez toujours un équipement de travail conforme

- Lunettes de protection
- Protections auditives
- Protections contre la poussière



Ne portez pas de gants alors que vous utilisez cette machine.



Portez toujours des gants pour une manipulation sûre des lames de la scie.

Consultez le chapitre "Fonctionnement correct" de ce manuel.

Contrôlez le temps d'arrêt de la machine ; il ne doit pas être supérieur à 10 secondes.

Travaillez uniquement avec une lame de scie bien affûtée et sans défauts.

Travaillez uniquement avec la butée de positionnement bien serrée.

Utilisez des extensions de table adaptées et des aides de support pour les pièces difficiles à manipuler.

Assurez-vous que la pièce ne roule pas lors de l'usinage de pièces rondes.

Abaissez toujours la grille de la lame près de la pièce.

Avec la table de la machine inclinée, utilisez la butée de positionnement et positionnez-la sur le côté inférieur uniquement.

Maintenez et guidez toujours les pièces de manière sûre pendant l'usinage.

Retirez les pièces coupées et bloquées uniquement lorsque le moteur est coupé et lorsque la machine se trouve à l'arrêt complet.

Installez la machine de telle sorte qu'il y ait suffisamment d'espace pour la manipulation de la pièce et un fonctionnement sûrs.

Maintenez la zone de travail bien éclairée.

La machine est conçue pour fonctionner dans des espaces clos et doit être placée sur une surface ferme et aplanie.

Assurez-vous que le cordon d'alimentation n'entrave pas le travail et ne cause pas de glissades.

Maintenez le sol autour de la machine propre et exempt de rebut, d'huile et de graisse.

Restez sur le qui-vive !
Concentrez-vous sur votre travail.

Faites preuve de bon sens.

Gardez une position confortable.

Gardez en permanence une posture équilibrée.

Ne faites pas fonctionner la machine lorsque vous êtes fatigué.

Ne faites pas fonctionner la machine sous l'emprise de drogues, d'alcool ou de tout médicament. Soyez conscient que les médicaments modifient votre comportement.



Ne touchez jamais la machine pendant son fonctionnement ou son arrêt.



Gardez les visiteurs et les enfants à une distance sécuritaire de la zone de travail.

Ne laissez jamais la machine fonctionner sans surveillance. Avant de quitter l'espace de travail, désactivez la machine.

Ne faites pas fonctionner l'outil électrique à proximité de gaz ou de liquides inflammables.

Renseignez-vous sur les options d'alerte et de lutte d'incendie, par exemple l'emplacement et le fonctionnement de l'extincteur d'incendie.

N'utilisez pas la machine dans une décharge et ne l'exposez pas à la pluie.

La poussière de bois est un matériau explosif et peut présenter un risque pour votre santé.

La poussière de certains bois tropicaux en particulier et de bois durs comme le chêne et le hêtre est classée comme substance cancérigène.

Utilisez toujours un dispositif d'extraction de poussière adapté

Avant l'usinage, retirez les clous et autres corps étrangers de la pièce.

Utilisez un bloc poussoir lors du travail sur les extrémités des barres proches.

Gardez toujours la tige de poussée ou la poignée de poussée avec la machine, même lorsqu'elle n'est pas utilisée.

Les spécifications concernant la taille maximale ou minimale de la pièce doivent être respectées.

Ne retirez pas les copeaux et les éléments de pièce tant que la machine n'est pas entièrement mise à l'arrêt.

Ne faites jamais fonctionner sans les protections mises en place - risque important de blessures !

Ne vous tenez pas sur la machine.

Les travaux de réparation et de connexion sur l'installation électrique doivent être uniquement effectués par un électricien qualifié.



Remplacez immédiatement un cordon usé ou endommagé.

Réalisez tous les réglages de la machine ou la maintenance avec la machine débranchée de la source d'alimentation.



Retirez immédiatement les lames de scie défectueuses.

3.3 Autres dangers

D'autres dangers subsistent lors de l'utilisation de la machine conformément aux réglementations.

La lame de la scie en mouvement peut provoquer des blessures dans la zone de travail.

Des lames de scie brisées peuvent provoquer des blessures.

Des pièces projetées peuvent causer des blessures.

Les copeaux de bois et la sciure peuvent altérer la santé. Portez un équipement de protection individuel comme des lunettes de protection, des protections auditives et contre la poussière. Utilisez un système d'aspiration des poussières adapté.

L'utilisation d'une source d'alimentation incorrecte ou d'un cordon d'alimentation endommagé peut provoquer des blessures par choc électrique.

4. Spécifications de la machine

4.1 Description de la machine

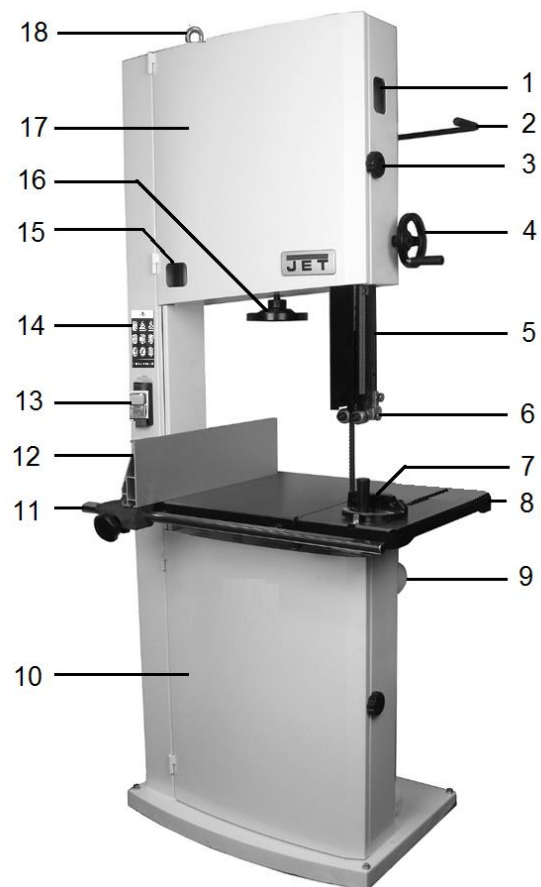


Fig 1

- 1...Fenêtre d'alignement de la lame
- 2...Lever de tension de la lame
- 3...Loquet de porte
- 4...Roue manuelle de réglage de hauteur
- 5...Poste de guidage
- 6...Guides de lame supérieure
- 7...Jauge à onglets
- 8...Table en fonte
- 9...Port de poussière
- 10...Couvercle de roue inférieure
- 11...Rail de support de la butée de positionnement
- 12...Butée de positionnement

- 13...Commutateur magnétique - Activation/désactivation
- 14...Etiquette d'avertissement
- 15...Fenêtre de tension de la lame
- 16...Roue manuelle de la tension de la lame
- 17...Couvercle de roue supérieure
- 18...Anneau de levage

Secteur électrique	3~400V, PE, 50Hz
Puissance de sortie du moteur	2,2 kW (3 HP) S1
Courant de référence	5 A
Rallonge électrique (H05VV-F) :	5 x 1,5mm ²
Installation de protection du fusible	16A
Poids	217 kg
Classe de protection d'isolation	I

4.2 Données techniques

JWBS-15:

Diamètre de la roue	375 mm
Largeur de coupe	max 360 mm
Hauteur de coupe	max 356 mm
Longueur de lame de la scie	3380 mm (3350~3390mm)
Largeur de la lame	3 - 25 mm
Épaisseur de la lame	0,5 – 0,7 mm
Vitesse de coupe	760 m/min
Table de la machine (Lx W)	545 x 405 mm
Plage d'inclinaison de la table	-5° à 45°
Hauteur de travail	890mm
Diamètre du port de poussière (2x)	100mm
Total (L x l x H)	750 x 810 x 1880mm
Secteur électrique	1~230V, PE, 50Hz
Puissance de sortie du moteur	1,1 kW (1,5HP) S1
Courant de référence	8 A
Rallonge électrique (H05VV-F) :	3 x 1,5mm ²
Installation de protection du fusible	16A
Poids	172 kg
Secteur électrique	3~400V, PE, 50Hz
Puissance de sortie du moteur	1,5 kW (2 HP) S1
Courant de référence	3,5 A
Rallonge électrique (H05VV-F) :	5 x 1,5mm ²
Installation de protection du fusible	16A
Poids	174 kg
Classe de protection d'isolation	I

JWBS-18:

Diamètre de la roue	470 mm
Largeur de coupe	max 457 mm
Hauteur de coupe	max 406 mm
Longueur de lame de la scie	3810 mm (3785~3835)
Largeur de la lame	3 - 30 mm
Épaisseur de la lame	0,6 – 0,8 mm
Vitesse de coupe	580 & 900 m/min
Table de la machine (Lx W)	690 x 508 mm
Plage d'inclinaison de la table	-5° à 45°
Hauteur de travail	940mm
Diamètre du port de poussière (2x)	100mm
Total (L x l x H)	915 x 865 x 2035mm
Secteur électrique	1~230V, PE, 50Hz
Puissance de sortie du moteur	1,5 kW (2 HP) S1
Courant de référence	8 A
Rallonge électrique (H05VV-F) :	3 x 1,5mm ²
Installation de protection du fusible	16A
Poids	214 kg

JWBS-20:

Diamètre de la roue	514 mm
Largeur de coupe	max 508 mm
Hauteur de coupe	max 406 mm
Longueur de lame de la scie	4013 mm (3990 ~ 4035mm)
Largeur de la lame	3 - 38 mm
Épaisseur de la lame	0,6 – 0,9 mm
Vitesse de coupe	640 & 1220 m/min
Table de la machine (Lx W)	690 x 508 mm
Plage d'inclinaison de la table	-5° à 45°
Hauteur de travail	940mm
Diamètre du port de poussière (2x)	100mm
Total (L x l x H)	940 x 845 x 2235mm
Secteur électrique	1~230V, PE, 50Hz
Puissance de sortie du moteur	2,2 kW (3 HP) S1
Courant de référence	12 A
Rallonge électrique (H05VV-F) :	3 x 1,5mm ²
Installation de protection du fusible	16A
Poids	258 kg
Secteur électrique	3~400V, PE, 50Hz
Puissance de sortie du moteur	3,7 kW (5 HP) S1
Courant de référence	8,8 A
Rallonge électrique (H05VV-F) :	5 x 1,5mm ²
Installation de protection du fusible	16A
Poids	276 kg
Classe de protection d'isolation	I

4.3 Emissions sonores

Déterminées en fonction de EN 1807
(tolérance d'inspection de 4 dB)

Pièce - Hêtre :
T = 30mm, L = 1500mm, humidité 8,5%

Niveau de puissance sonore (en fonction de EN ISO 3746) :

Ralenti	LwA 82 dB(A)
Fonctionnement	LwA 93 dB(A)

Niveau de pression sonore (en fonction de EN ISO 11202) :

Ralenti	LpA 74 dB(A)
Fonctionnement	LpA 87 dB(A)

Les valeurs spécifiées sont des niveaux d'émission et ne doivent pas nécessairement être vues comme des niveaux de fonctionnement de sécurité. Bien qu'il y ait une corrélation entre les niveaux d'émissions et d'immissions, cela ne permet pas de déterminer si des mesures de sécurité supplémentaires sont nécessaires ou non. Les conditions de l'espace de travail pouvant influencer le niveau d'émissions sonores comprennent la durée de la résonance, les particularités de la pièce, d'autres sources sonores, etc., comme par exemple, le nombre de machines et les autres tâches réalisées. Les niveaux d'émissions sonores autorisés peuvent varier selon les pays.

Cette information permet à l'utilisateur d'avoir une meilleure estimation des dangers et risques encourus.

4.4 Emission de poussières

La scie à ruban a été contrôlée concernant les émissions de poussière.

Avec une vitesse de l'air de 20 m/s sur le port de poussière avec un diamètre de 100mm :

Dépression	1250 Pa
Débit de volume	565 m ³ /h

Les émissions de poussière de 2 mg/m³ sont maintenues en permanence dans l'environnement de travail.

4.5 Contenu de la livraison

Scie à ruban
 Corps de la butée de positionnement – A
 Profil de la butée de positionnement – B
 Table – C
 Insertion de la table – D
 Rail du guide – E
 Anneau de levage – F
 Roue à main avec poignée – G
 Jauge à onglets – H
 Lame de la scie
 Manuel de fonctionnement
 Liste de pièces de rechange

Emballage du matériel contenant :

2x	Vis à six pans creux – HP1
2x	Rondelles plates – HP2
4x	Vis à tête hexagonale – HP3
4x	Rondelles de verrouillage – HP4
4x	Rondelles plates – HP5
1x	Poignée de la fente de la table – HP6

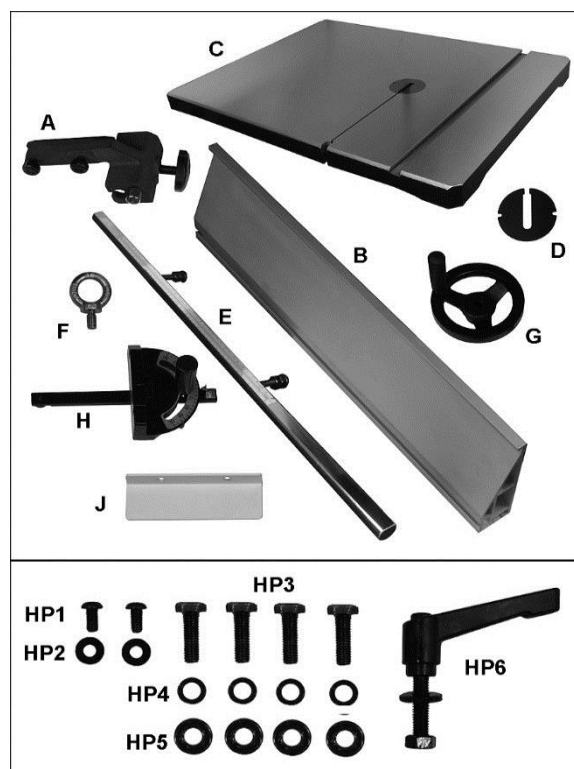


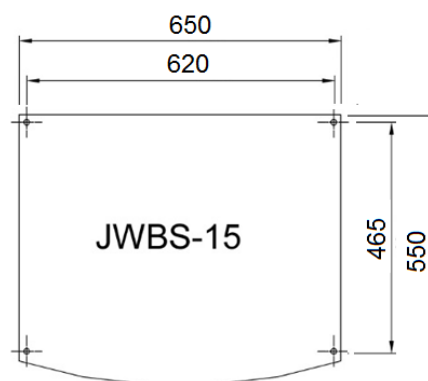
Fig 2

5. Transport et démarrage

5.1 Transport et installation

La machine est livrée dans une caisse ouverte. Utilisez un chariot élévateur ou un chariot manuel pour le transport. Assurez-vous que la machine ne se renverse pas ni ne tombe lors du transport.

La machine est conçue pour fonctionner dans des espaces clos et doit être placée sur une surface ferme et aplanie. La machine peut être boulonnée si nécessaire (Fig 3).



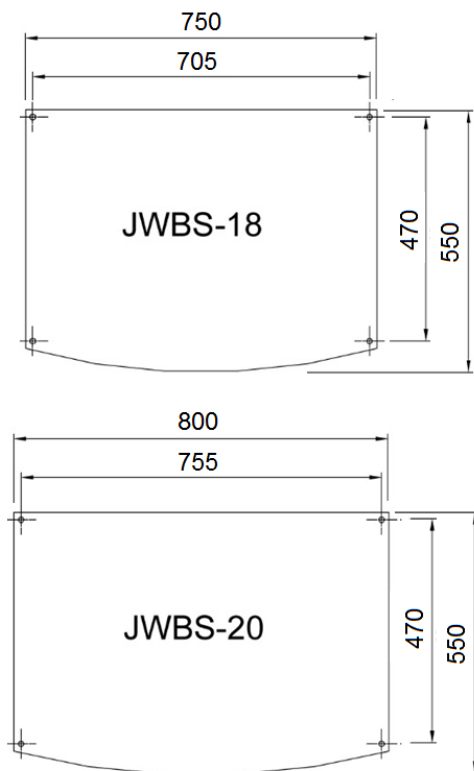


Fig 3

Pour des raisons liées à l'emballage, la machine n'est pas montée complètement.

5.2 Montage

Si vous constatez des dommages liés au transport lors du déballage, veuillez en informer immédiatement votre fournisseur. Ne faites pas fonctionner la machine !

Mettez l'emballage au rebut en respectant les consignes environnementales.

Nettoyez toutes les surfaces protégées contre la rouille avec un solvant doux.

Fixation de la roue à main :

Fixez la roue à main (G, Fig 4) et serrez les deux vis de réglage.

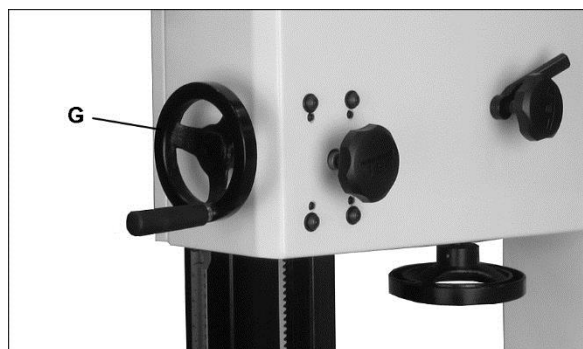


Fig 4

Fixation de la table :

Installez la table de telle sorte que la lame passe dans la fente (A, Fig 5).

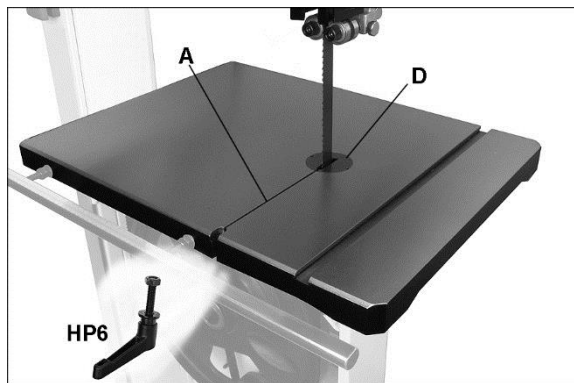


Fig 5

Insérez les quatre vis à tête hexagonale avec les rondelles de verrouillage et les rondelles plates (Fig 6). Serrez les vis à la main seulement.



Fig 6

Vérification si la table est parallèle à la lame :

Tendez la lame et placez une longue règle contre la lame (Fig 7).

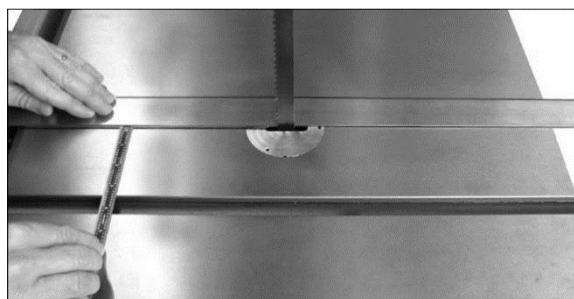


Fig 7

Si la fente de l'onglet n'est pas parallèle à la lame, décalez la table si nécessaire.

Serrez les quatre vis (Fig 6).

Installez l'insertion de la table (D, Fig 5) et mettez-la à niveau avec la table.

Installez la poignée de la fente (HP6, Fig 5) et serrez.

Fixation du rail de guide de la butée de positionnement :

Fixez le rail du guide (E, Fig 8) à la table.

Sécurisez à l'aide des rondelles et écrous livrés.

Ne serrez pas encore complètement tant que les réglages de la butée de positionnement ne sont pas réalisés dans la partie suivante.



Fig 8

Installation et réglage de la butée de positionnement :

Glissez le corps de la butée de positionnement (A, Fig 9) dans le rail du guide et déplacez le corps de la butée de positionnement à droite de la lame.

Installez le profil de la butée de positionnement (B) et serrez avec deux boutons (A1).

Glissez la butée de positionnement contre le bord de la fente de l'onglet et serrez la poignée (A2). La butée de positionnement doit être alignée parallèlement à la fente de l'onglet.

Si le réglage est nécessaire, desserrez et tournez les écrous hexagonaux sur les étalons du rail de guide (A3) si nécessaire.

Serrez les écrous.

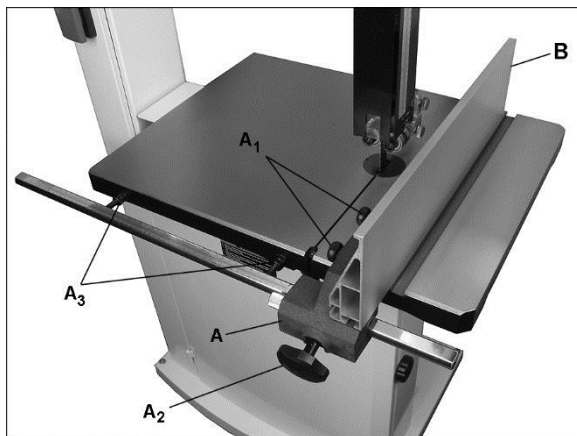


Fig 9

Installation du support de table (JWBS-20 uniquement):

Installez le support (J, Fig 10) sur le côté gauche de la table.

Mettez à niveau avec la surface de la table et serrez les vis.

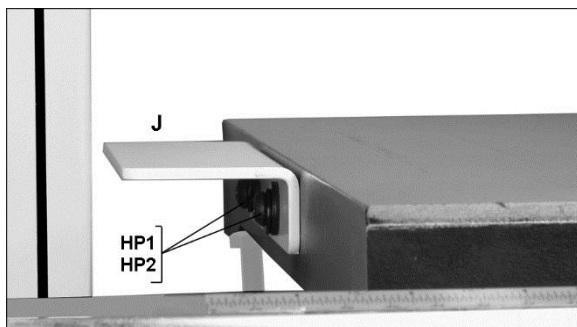


Fig 10

Installation de la jauge à onglets :

Glissez la jauge à onglets dans la fente de la table.

Utilisez une équerre pour vérifier que la face de la jauge à onglets est perpendiculaire à la fente de la table (= perpendiculaire au profil de la butée de positionnement).

Si la jauge à onglets n'est pas perpendiculaire, desserrez le bouton de verrouillage (H1, Fig 11) et ajustez au bon réglage.

Si l'aiguille n'est pas à 90 degrés, desserrez la vis (H2) pour régler.

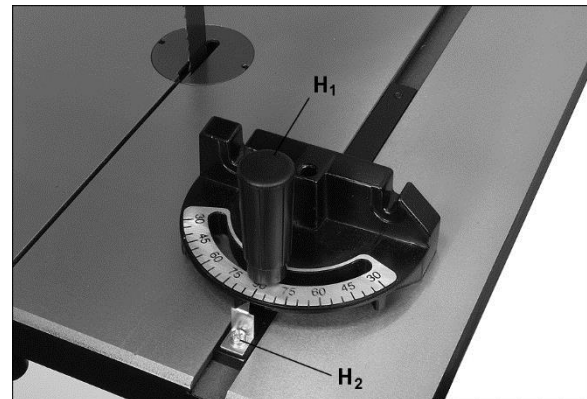


Fig 11

Réglages du profil de la butée de positionnement en aluminium :

Desserrez les boutons (A1, Fig 12) pour régler le profil de la butée de positionnement en aluminium.

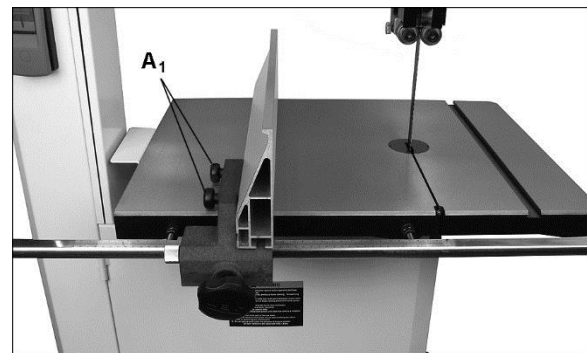


Fig 12 : vertical

Le profil de la butée de positionnement peut être installé dans deux positions, verticalement (Fig 12) ou horizontalement (Fig 13).

La position horizontale est utile pour de plus petites pièces, pour des coupes proches et peu profondes.

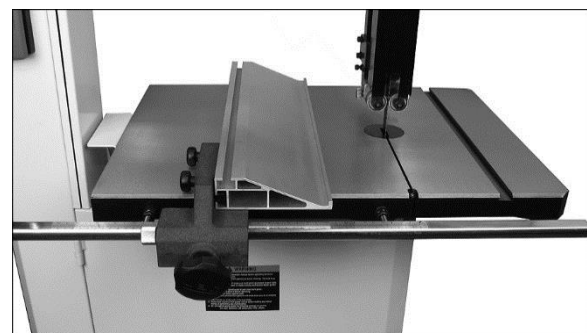


Fig 13 : horizontal

Réglage précis de la butée de positionnement :

Desserrez le bouton de verrouillage de la butée de positionnement (A, Fig 14).

Desserrez le bouton (B).

Glissez la butée de positionnement dans sa position approximative.

Serrez le bouton (B).

Tournez le bouton moleté (C) pour réaliser un réglage précis.

Lorsque le réglage est fait, serrez le bouton de verrouillage de la butée de positionnement (A).

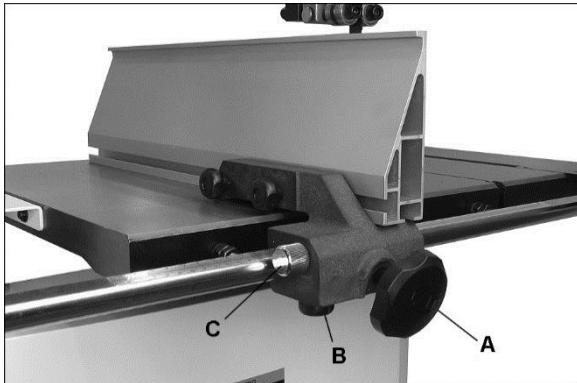


Fig 14

Inclinaison de la table :

Pour incliner la table, desserrez la poignée de verrouillage (D, Fig 15) et tournez le bouton (E).

Réglez en fonction de l'échelle (G).

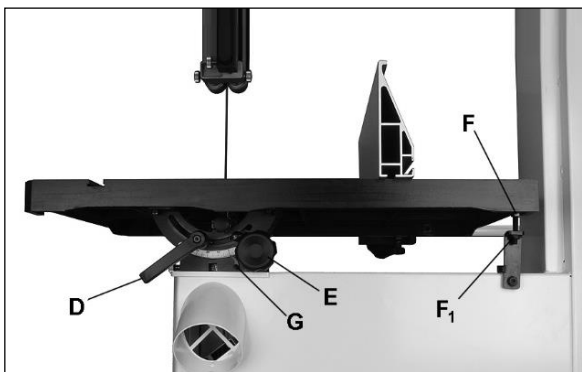


Fig 15

L'arrêt de table à 90° (F) doit pivoter hors de la trajectoire pour incliner la table vers la gauche.

Serrez la poignée de verrouillage (D).

Réglage de l'arrêt de table à 90° :

L'arrêt de la table à 90° (F) doit être réglé afin que la table soit perpendiculaire à la lame de la scie.

Placez une règle contre la lame de la scie pour contrôler (F 16).

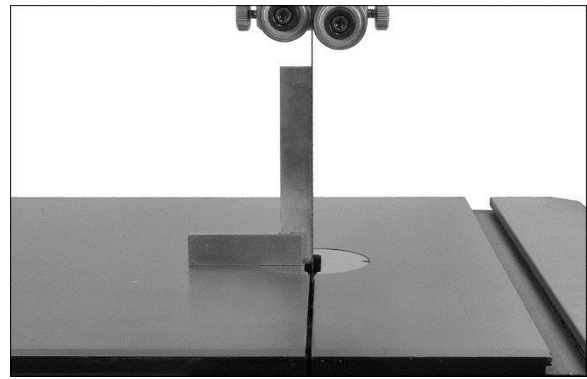


Fig 16

Desserrez l'écrou (F1, Fig 15) pour régler l'arrêt.

Mise à niveau de l'insertion de la table :

Retirez l'insertion de la table pour exposer les vis de réglage de la table.

Tournez les vis si nécessaire jusqu'à ce que l'insertion soit placée correctement à la surface de la table.

5.3 Connexion au secteur électrique

La connexion au secteur électrique et les fiches et rallonges électriques utilisées doivent être conformes aux informations indiquées sur la plaque d'immatriculation de la machine.

La connexion du secteur électrique doit posséder un fusible de protection contre la surtension 16A.

Utilisez uniquement des rallonges électriques H07RN-F, avec des câbles de 1,5mm² ou plus.

Les cordons électriques et les fiches doivent être exempts de défauts.

Les connexions et réparations de l'équipement électrique ne doivent être réalisées que par des techniciens qualifiés.

ATTENTION :

-Vérifiez d'abord si la lame de la scie est tendue et fonctionne librement et si tous les dispositifs de sécurité sont en place avant de démarrer la machine.

- Si le sens de rotation est incorrect, le compensateur de phase dans la fiche CEE Euro doit être actionné et tourné à 180°.

(la lame de la scie doit descendre vers la table)

5.4 Collecte des poussières

Avant le fonctionnement initial, la machine doit être raccordée à un aspirateur pour sciures. L'aspiration doit être activée automatiquement lorsque la scie à ruban est activée.

Le rapport de débit du port d'aspiration doit être de 20m/sec. Les flexibles doivent être non-inflammables et doivent être raccordés au système de masse de la machine.

5.5 Démarrage du fonctionnement

Vous pouvez démarrer la machine avec le bouton ON vert (Fig 18). Le bouton OFF rouge sur le commutateur principal arrête la machine.



Fig 18

En cas de surcharge du moteur, ce dernier se coupe.
Après env. 10 min de refroidissement, la machine peut de nouveau être démarrée.

6. Fonctionnement de la machine

Position correcte de travail :

Debout en face de la machine, dans le sens de coupe.

Préparation de coupe :

Positionnez le guide de lame supérieure à une distance de 3mm environ de la pièce (Fig 19).

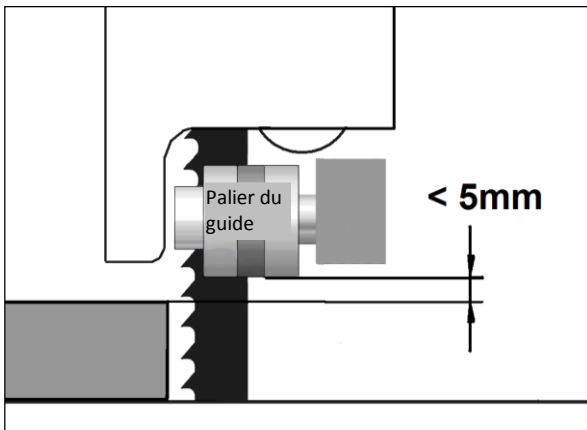


Fig 19

Pour votre sécurité, réglez toujours le guide de la scie le plus près possible de la pièce.

Travaillez uniquement avec une lame de scie bien affûtée et sans défauts.

Contrôlez le bon alignement de la bande et la tension de la lame.

Assurez-vous que les guides de la lame sont réglés correctement.

En cas d'utilisation de la butée de positionnement, positionnez-la et verrouillez-la au rail du guide. Travaillez uniquement avec la butée de positionnement longitudinal bien verrouillée.

Pour des coupes proches et peu profondes sur la butée de positionnement, placez le profil de la butée de positionnement en position horizontale (Fig 13).

Activez la scie à ruban pour lui permettre d'atteindre sa pleine puissance.

Manipulation de la pièce :

Mains à plat sur la pièce, hors de la zone de coupe.

Insérez la pièce vers la lame de la scie dans le sens de la ligne de la scie et coupez si nécessaire en tournant pour suivre la ligne dessinée.

Poussez la pièce régulièrement vers l'avant ; effectuez la coupe d'un seul mouvement.

Si possible, ne retirez pas la pièce en arrière car cela pourrait causer la sortie de la lame de la scie hors des roues.

Maintenez les pièces larges et longues avec des supports rouleaux.

Utilisez une tige de poussée près de la zone de coupe afin d'éviter que vos mains ne s'approchent trop près de la lame de la scie.

Effectuez des coupes de relief si nécessaire. Une coupe de relief est une coupe supplémentaire effectuée sur la portion de déchet du bois.

Utilisez une règle-guide guider les pièces de petites tailles et proches de la zone de coupe.

Utilisez une clavette adaptée pour éviter au bois rond de tourner sous la pression de la coupe.

Dérive de la lame :

La dérive de la lame est un problème fréquent sur les coupes de tronçonnage et pendant la coupe parallèle.

La dérive de la lame peut se produire lorsque la butée de positionnement est utilisée et que la lame dévie hors de la ligne de coupe (Fig 20).

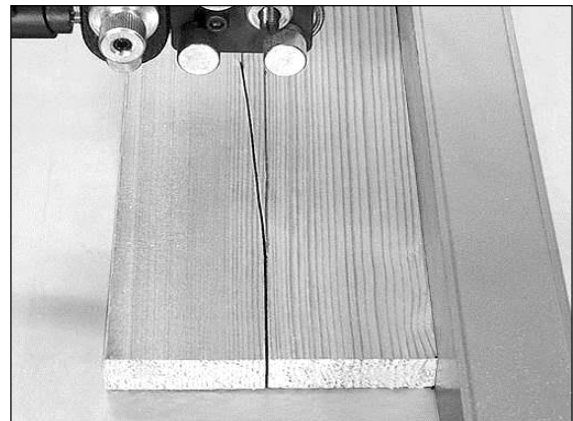


Fig 20

La dérive de la lame peut être causée par un certain nombre de facteurs.

- La lame de la scie suit le fibrage
- La lame de la scie est émoussée.
- Les guides de la lame ne sont pas réglés correctement.
- La tension de la lame est insuffisante.
- Les dents de la lame ont un "réglage" asymétrique

Arrachement (Fig 21)

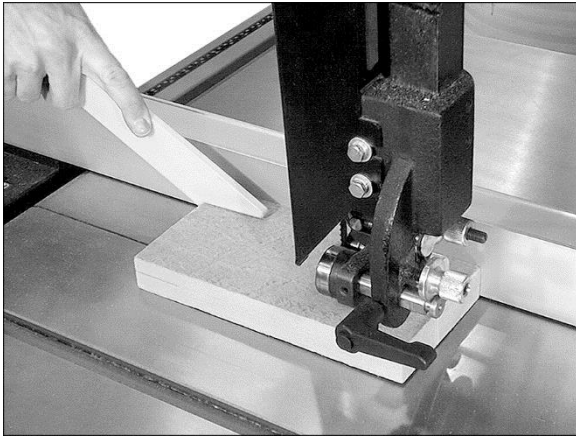


Fig 21

Coupe transversale (Fig 22)

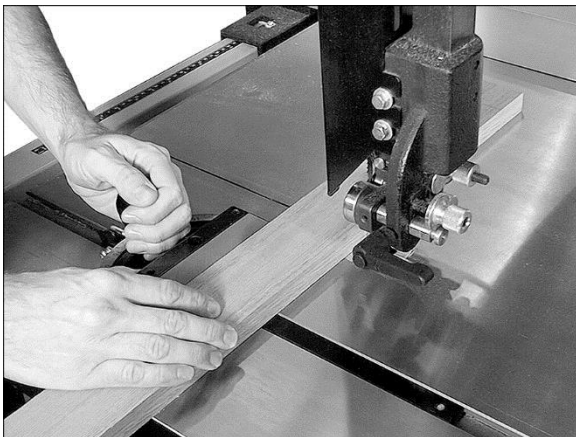


Fig 22

Coupe parallèle (Fig 23)

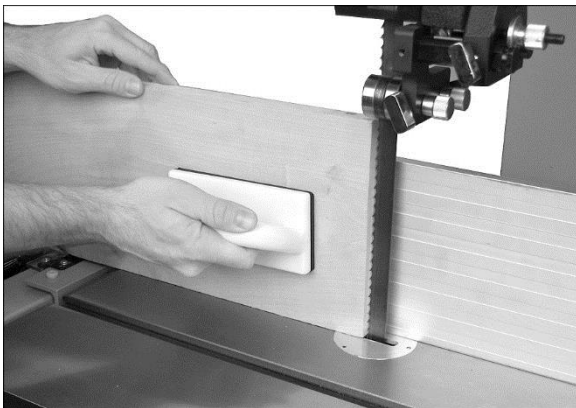


Fig 23

Pour l'autorisation d'utilisation de la machine, consultez l'annexe A

"Fonctionnement correct"

(dernières pages de ce manuel de fonctionnement)

A.1 : Réalisation de coupes hautes

A.2.: Réalisation de coupes diagonales

A.3.: Coupe de tenons

A.4.: Coupe de clavettes

A.5.: Coupes courbes

A.6.: Coupes d'arcs

A.7.: Coupe avec règle-guide

A.8.: Coupe circulaire

A8.1 Réglage sans pièce

A8.2 Placement de la pièce

A8.3 Usinage

7. Réglage et ajustements

Remarque générale :

Le réglage et l'ajustement ne peuvent être réalisés qu'après avoir protégé la machine de tout démarrage accidentel en retirant la prise d'alimentation.

7.1 Sélection de la lame de la scie

La lame de la scie doit être conforme aux spécifications techniques.

Choisissez une lame de scie adaptée en fonction de la coupe et du matériau à usiner.

Pour une coupe haute :

- Utilisez une lame de scie large, à dents grossières (par exemple 20mm, 3 T/").

Pour une coupe courbe étroite :

- Utilisez une lame de scie étroite (par exemple 3mm, 14 T/").

Pas :

Le pas ne doit pas être plus petit que nécessaire car la vitesse d'avance est réduite s'il y a trop de dents travaillant simultanément sur la pièce, ce qui peut entraîner une usure prématurée de la lame de la scie.

Idéalement, 3 des 12 dents doivent fonctionner en même temps (Fig 24).

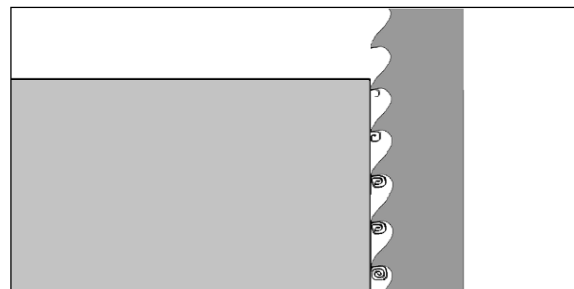
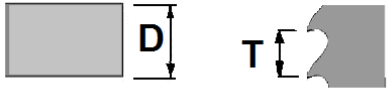


Fig 24

Le tableau suivant indique le pas de lame de scie recommandé par rapport à l'épaisseur de la pièce (Fig 25).



D mm	T / "	T mm
< 20	14	1.8
< 40	8	3.2
< 60	6	4.2
20 - 100	4	6.3
30 - 150	3	8.5
> 150	2	12.7

Fig 25

Forme des dents :

La forme des dents influence le logement des copeaux et la vitesse d'avance. Le tableau suivant indique les différentes formes de dents communes (Fig 26) :

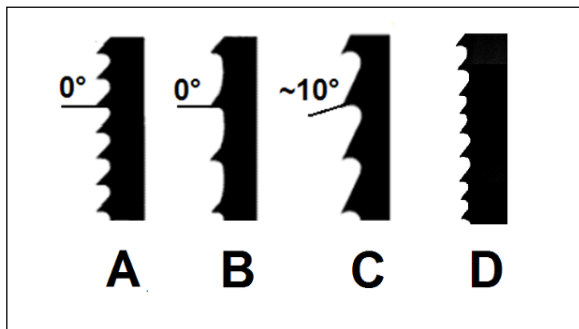


Fig 26

A- Dent régulière :

La forme de dents la plus utilisée. Angle de coupe orthogonal de 0°.

Adaptée pour les coupes et le sciage de contours de la plupart des matériaux. Pour couper des matériaux nécessitant une coupe fine.

B- Dents larges :

Dents avec un large espace afin d'éviter une obstruction. Angle de coupe orthogonal de 0°

Pour coupe parallèle et arrachement, en particulier du bois tendre.

C- Dent en crochet :

Dents larges et angle de coupe orthogonal positif, pour une coupe rapide et agressive.

Pour coupe parallèle et arrachement, en particulier du bois dur.

D- Dents variables :

Forme de dents variables et espacement produisant des coupes régulières et amortissant les vibrations.

Réglage :

Les dents de la scie sont déformées hors du plan du corps de la scie, entraînant une coupe large de la pièce.

Cela réduit la friction et permet des coupes courbes.

Le jeu alternatif (Y, Fig 27) est le plus utilisé pour les lames à bois.

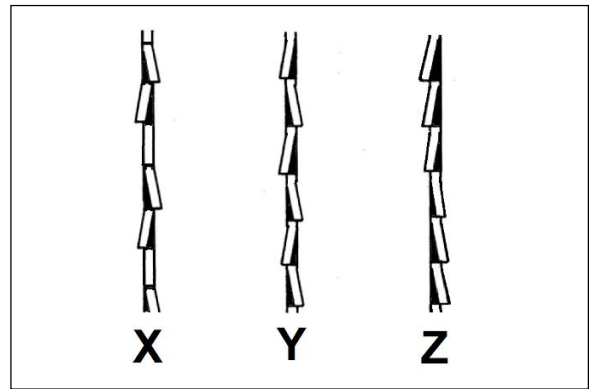


Fig 27

X- Réglage intermédiaire

Y- Réglage alternatif

Z- Réglage à ondulations

Largeur de la lame :

Utilisez de préférence une lame large, sauf pour les coupes de contour. Le tableau suivant indique les liens entre la largeur de la lame de la scie et le rayon de coupe le plus faible (Fig 28).

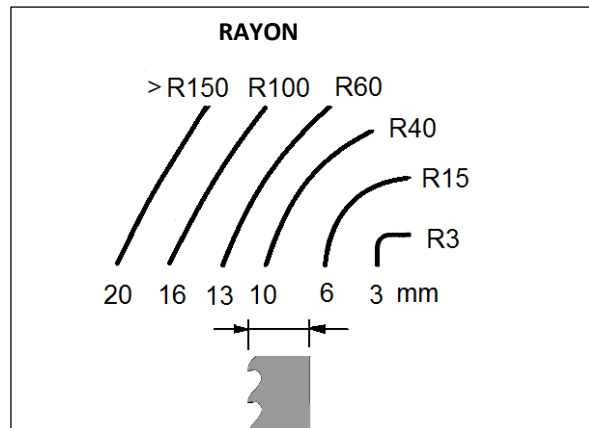


Fig 28

Matériau de la lame :

- Acier au carbone
- Acier allié
- Bimétallique (Dents HSS soudées dans le corps de la lame en acier allié)
- Carbure.

7.2 Changement de la lame de la scie

Vérifiez si la lame de la scie présente des défauts (fissures, dents cassées, courbures) avant l'installation. N'utilisez pas de lames de scie défectueuses.

Les dents de la lame de la scie doivent pointer dans la direction de la coupe (vers le bas)

Portez toujours des gants adaptés lors de la manipulation des lames de la scie.

Pour retirer la lame :

Ouvrez les couvercles de la roue.

Retirez l'insertion de table (D, Fig 29) et la poignée de la fente (E).

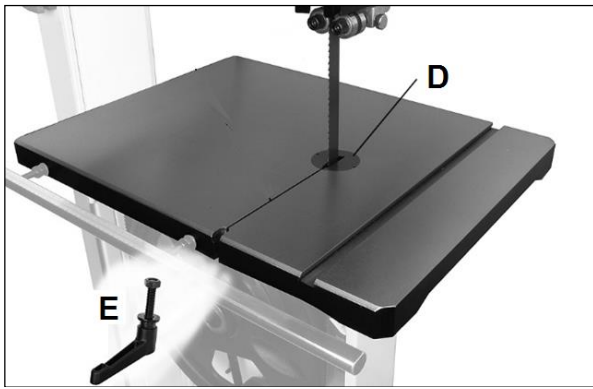


Fig 29

Relâchez la tension de la lame en faisant fonctionner le levier de tension de lame rapide (Q, Fig 30) et en tournant la roue manuelle de la tension de la lame (L).



Fig 30

Ouvrez les protections de lame (Fig 31, Fig 32)

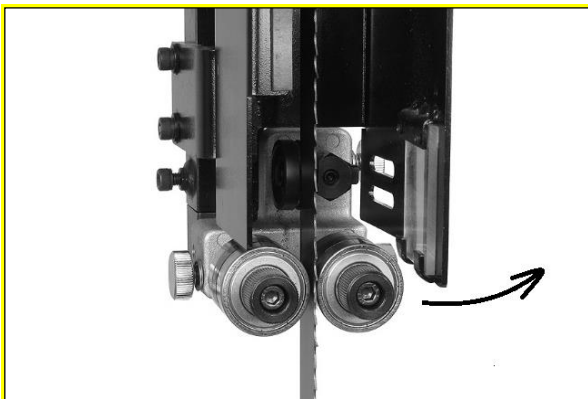


Fig 31

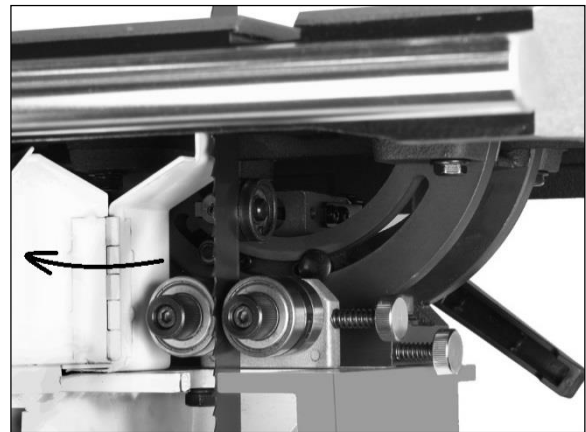


Fig 32

Retirez le bloc pare-poussière (J, Fig 33)



Fig 33

Installez la nouvelle lame de scie.

Après avoir installé la nouvelle lame de la scie, serrez suffisamment cette dernière.

Suivez l'échelle (M, Fig 34).

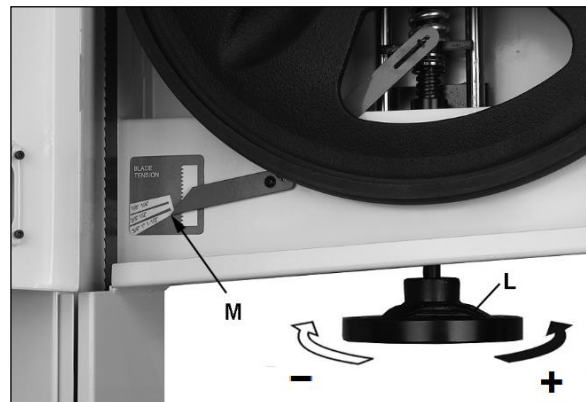


Fig 34

Installez le bloc pare-poussière (J).

Fermez les protections de la lame.

Fermez les couvercles de la roue.

7.3 Réglage d'alignement de la lame

L'alignement de la lame ne doit jamais être effectué lorsque la machine fonctionne.

La lame de la scie doit fonctionner au centre des caoutchoucs (Fig 35).

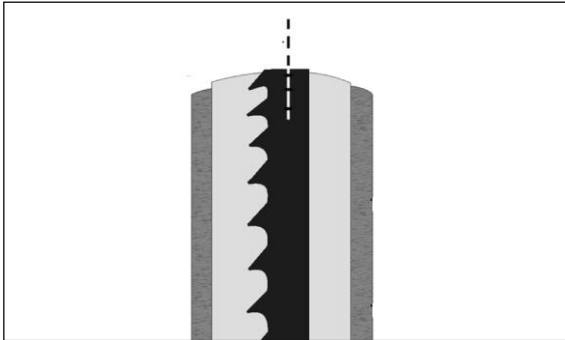


Fig 35

Abaissez le poste de guidage jusqu'à apercevoir la lame à travers la fenêtre d'alignement (O, Fig 36).

Desserrez la poignée de verrouillage (P)

L'alignement de la lame peut être effectué grâce au bouton (R) à l'arrière de la machine.

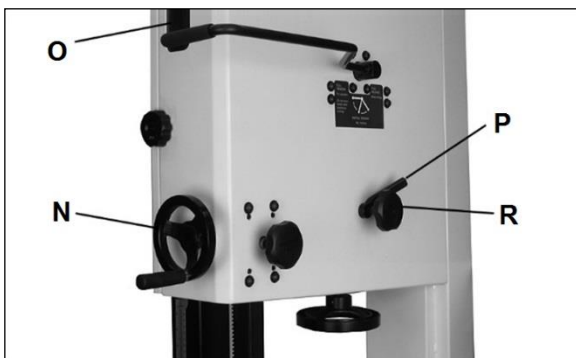


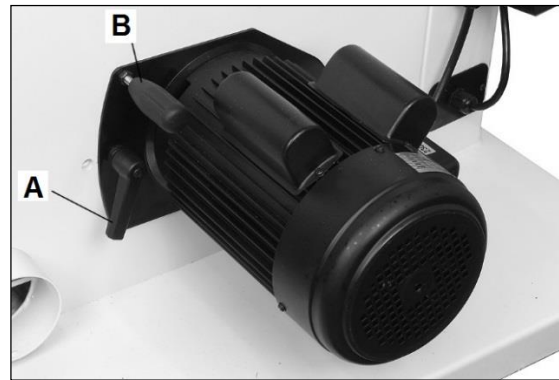
Fig 36

Serrez la poignée de verrouillage.

Remarque :

Avant de remplacer / aligner la lame de scie sur les scies à ruban équipées de frein, veuillez tout d'abord relâcher la tension de la courroie

1. Débranchez la machine de la source d'alimentation
2. Desserrez la poignée de verrouillage (A, voir la figure ci-dessous).
3. Levez le moteur avec la poignée (B) jusqu'à ce que la courroie soit desserrée sur la poulie, puis serrez la poignée de verrouillage (A)
4. La procédure de changement ou d'alignement de la lame peut être réalisée
5. Desserrez de nouveau la poignée de verrouillage (A), puis tendez de nouveau la courroie en abaissant la poignée (B) avec une pression modérée.
6. Verrouillez la poignée de verrouillage (A).



7.4 Réglage de tension de la lame

La tension de la lame est réglée avec la roue manuelle de tension de lame (L, Fig 37).

Serrez suffisamment la lame de la scie positionnée.

Suivez l'échelle (M, Fig 34).

Levier de tension de lame rapide :

Pour faire fonctionner la machine, placez le levier de tension de lame rapide (Q, Fig 37) en position de tension complète (X).

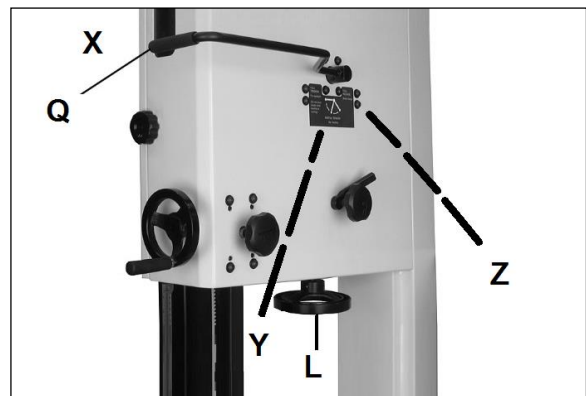


Fig 37

Remarque :

Lorsque la lame de la scie n'est pas utilisée, placez le levier de tension de lame rapide en position de tension partielle (Y) ; cela prolonge sa durée de vie.

Pour le changement de lame, placez le levier en position entièrement relâchée (Z).

Réglage du levier de tension de lame rapide :

Le levier de tension de lame rapide (Q) vous permet de régler de combien la tension doit être relâchée lorsque le levier est utilisé.

Pour régler le levier de tension, retirez la lame de la scie.

Déplacez le levier de tension sur la position de tension complète (X).

JWBS-15 et JWBS-18 : Tournez la vis de réglage (A, Fig 38) jusqu'à ce que le jeu entre la vis et la charnière de l'arbre de la roue soit de 3 à 5mm.

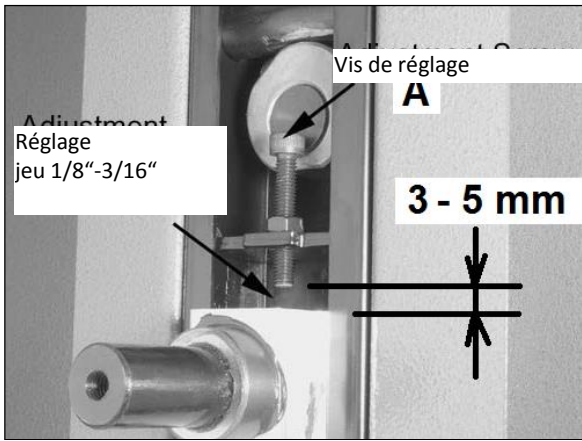


Fig 38

JWBS-20 : Déplacez la douille d'arrêt (B, Fig 39) jusqu'à ce que le jeu entre la douille d'arrêt et la charnière de l'arbre de la roue soit de 3 à 5mm.

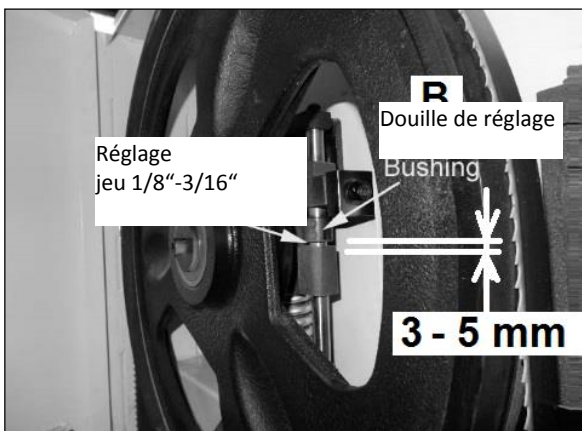


Fig 39

Réglage du poste de guidage :

Le poste de guidage est réglé en usine.

Il doit être parallèle à la lame de la scie ; par conséquent , le palier du guide reste en relation constante avec la lame.

Pour le réglage, desserrez doucement les vis (O, Fig 40) et tournez les vis de réglage (P) si nécessaire.

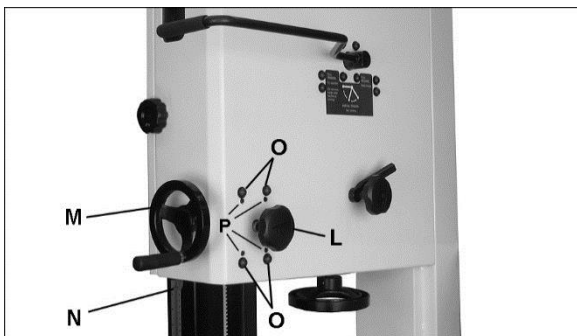


Fig 40

7.5 Ajustement du guide de la lame

Le réglage du guide de la lame ne doit jamais être effectué lorsque la machine fonctionne.

Guide de lame supérieure :

Desserrez le bouton de verrouillage (F, Fig 42).

Positionnez l'ensemble du guide vers l'avant/l'arrière afin que les dents restent à une distance d'environ 2mm des rouleaux du guide (Fig 41).

Desserrez le bouton de verrouillage (I, Fig 42).

Réglez le rouleau de guide arrière afin que la distance vers la lame de la scie soit de 1mm (Fig 41).

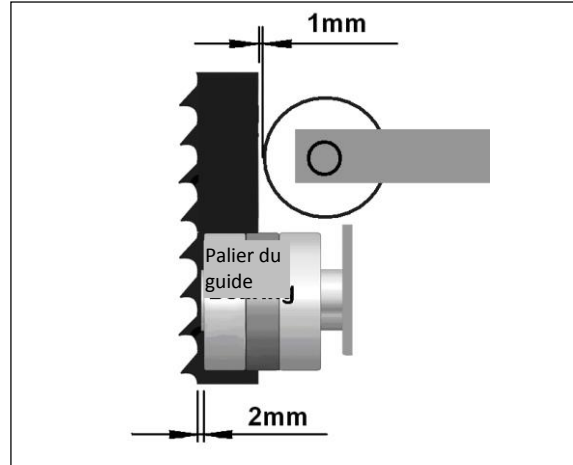


Fig 41

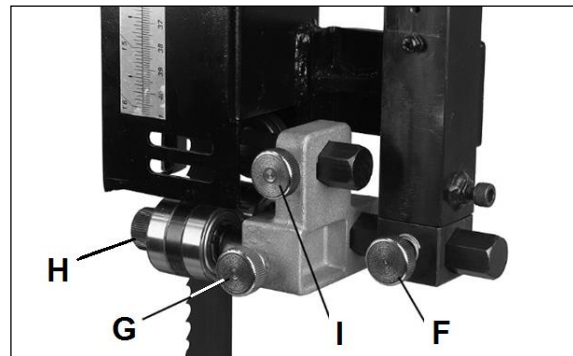


Fig 42

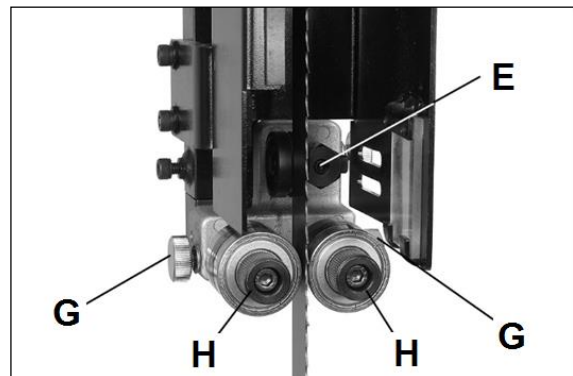


Fig 43

Guide de lame inférieure :

Desserrez le bouton de verrouillage (L, Fig 44).

Positionnez l'ensemble du guide vers l'avant/l'arrière afin que les dents restent à une distance d'environ 2mm des rouleaux du guide (Fig 41).

Desserrez l'écrou moleté (O, Fig 45).

Réglez le rouleau de guide arrière avec la vis de réglage (P) afin que la distance vers la lame de la scie soit de 1mm (Fig 41).

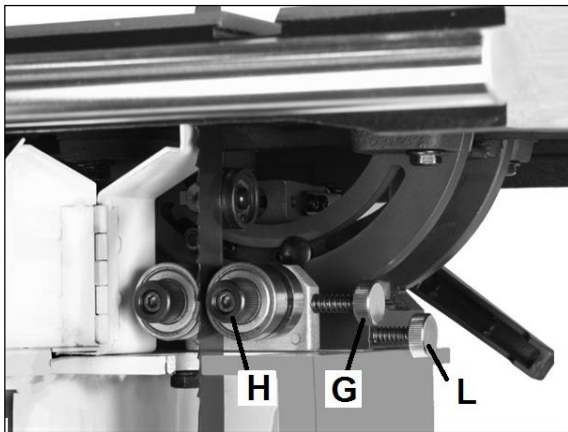


Fig 44

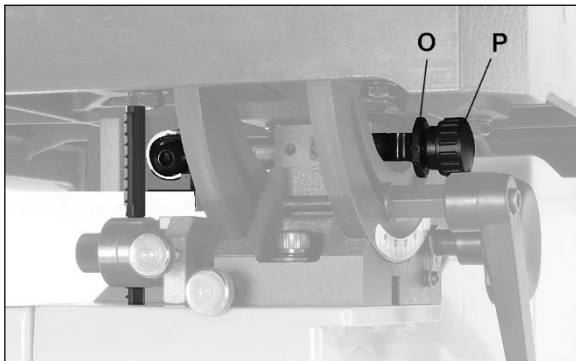


Fig 45

Guide de lame supérieure et inférieure :

Les rouleaux du guide arrière (J, Fig 46) ont une rainure devant être alignée avec la lame de la scie.

Desserrez la vis sans tête (E) pour régler la position du rouleau.

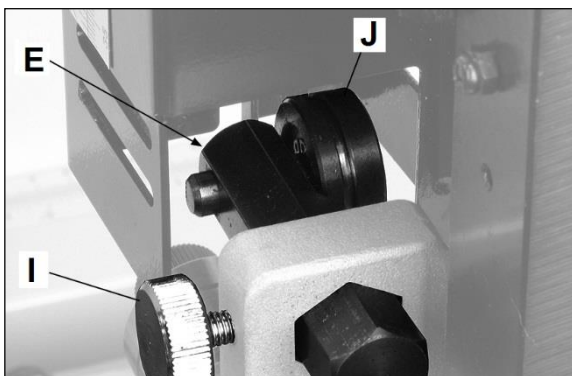


Fig 46

Régalez les paliers de guide latéraux afin qu'ils soient légèrement en contact avec la lame de la scie.

La lame de la scie ne doit pas être poussée hors de son emplacement.

Desserrez les boutons de verrouillage (G).

Régalez les paliers du guide latéral en tournant les boutons moletés (H).

Remarque :

Régalez les paliers de guide latéraux afin qu'ils soient légèrement en contact avec la lame de la scie.

Une manière rapide de réaliser l'espacement nécessaire (~0,1mm) consiste à placer un billet entre la lame et le palier du guide (Fig 47).

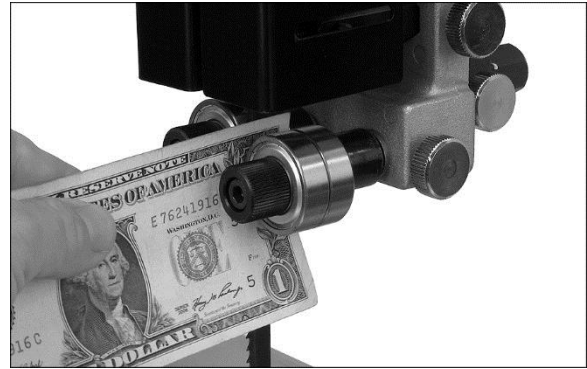


Fig 47

Verrouillez toutes les fixations.

Contrôle de fonctionnement :

Assurez-vous que toutes les fixations sont verrouillées.

Tournez les roues de lame manuellement et contrôlez les réglages effectués.

Démarrez la machine avec précaution.

7.6 Réglage de la vitesse de la lame (JWBS-18 et JWBS-20)

Les scies à ruban JWBS-18 et JWBS-20 fonctionnent à deux vitesses différentes (Fig 48).

H...Vitesse élevée

Pour des coupes standards.

L...Vitesse basse

Procure une plus grande force de la lame, pour des coupes hautes et la coupe de bois dur.

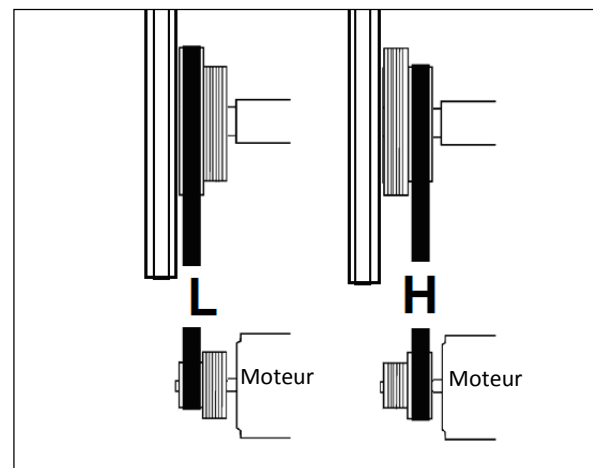


Fig 48

Changement de la vitesse :

Débranchez la machine de la source d'alimentation.

Desserrez la poignée de verrouillage (A, Fig 49).

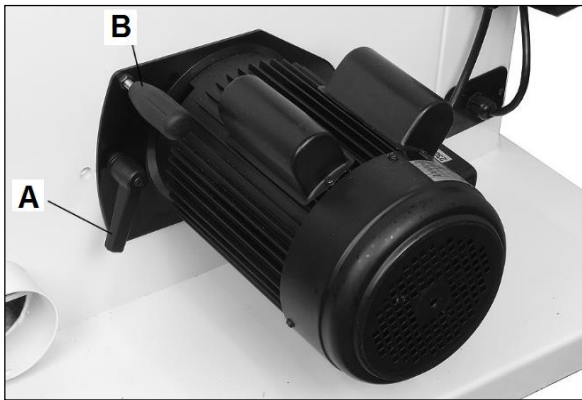


Fig 49

Levez le moteur avec la poignée (B) et la poignée de verrouillage (A)

Ouvrez les couvercles de la roue.

Glissez la courroie dans le jeu de poulies appropriées.

Tendez de nouveau la courroie en poussant la poignée (B) avec une pression modérée.

Verrouillez la poignée de verrouillage (A).

Fermez les couvercles de la roue.

7.7 Pliement de la lame de la scie à ruban

Une lame de scie pliée nécessite moins d'espace.

Portez toujours des gants adaptés lors de la manipulation des lames de la scie.

Maintenez la lame de la scie à ruban d'une main. Laissez-la pendre verticalement et maintenez-la au sol avec un pied. Tournez à la main de 360° en effectuant un cercle complet, tout en descendant au sol (Fig 50).

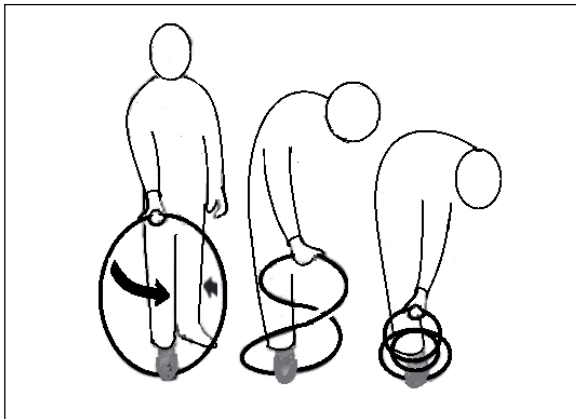


Fig 50

8. Inspection et entretien

Remarques générales :

L'entretien, le nettoyage et la réparation ne peuvent être réalisés qu'après avoir protégé la machine de tout démarrage accidentel en retirant la prise d'alimentation.

La réparation et le travail d'entretien sur le système électrique ne doivent être réalisés que par un électricien qualifié.

Nettoyez la machine régulièrement.

Contrôlez quotidiennement le bon fonctionnement du dispositif d'extraction de poussière.

Tous les dispositifs de protection et de sécurité doivent être immédiatement refixés à la fin du nettoyage, de la réparation et du travail d'entretien.

Les dispositifs de sécurité défectueux doivent être remplacés immédiatement.

Contrôlez régulièrement la bonne tension de la lame. Relâchez la tension de la lame si la machine n'est pas utilisée pendant un long moment.

Contrôlez régulièrement le réglage du guide de la lame.

Vérifiez régulièrement si les lames de la scie à ruban présentent des défauts. Remplacez immédiatement les lames de scie défectueuses.

Roues :

Le caoutchouc des roues doit être nettoyé régulièrement.

Le support de roue supérieure doit être lubrifié régulièrement.

Entraînement :

La tension de la courroie doit être contrôlée régulièrement.

Le frein du moteur fonctionne de manière électro-mécanique (moteur de freinage).

Si le temps de freinage excède 10 secondes, le frein du moteur doit être remplacé. Contactez immédiatement votre station d'informations JET.

Remplacement de la courroie :

Débranchez la machine de la source d'alimentation.

Retirez le boulon et la rondelle (F, Fig 51).

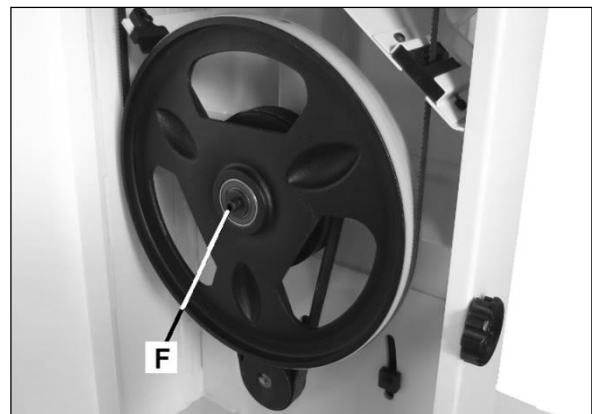


Fig 51

Retirez la roue de la scie à ruban. (vous aurez peut-être besoin d'un arrache-pignon).

Installez la nouvelle courroie.

Remontez.

Insertion de table :

Remplacez l'insertion de table usée.

L'insertion de table (Fig 52) doit être réalisée avec un matériau facilement usinable (par exemple du bois, du plastique, de l'aluminium, du laiton).

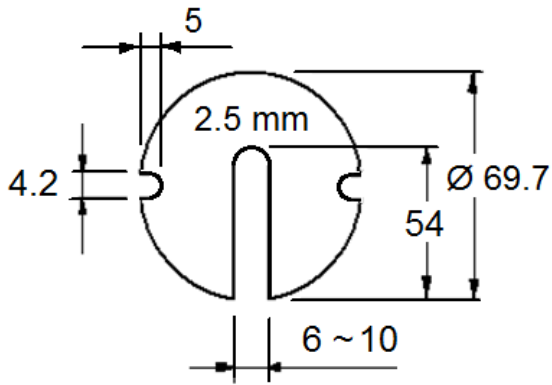


Fig 52

Numéro de pièce JET : JWBS15-1125

L'insertion de table ne doit pas se trouver au-dessus de la surface de la table.

Lames de la scie :

L'entretien des lames de la scie ne doit être réalisé que par une personne qualifiée.

Utilisez uniquement des lames de scie bien affûtées et réglées correctement.

Points de lubrification :

Appliquez périodiquement une fine couche de graisse à usage général sur la crémaillère et le pignon (Fig 53).

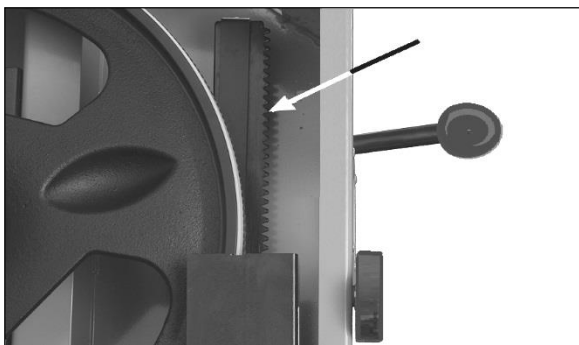


Fig 53

Vers les tourillons de la table (Fig 54).

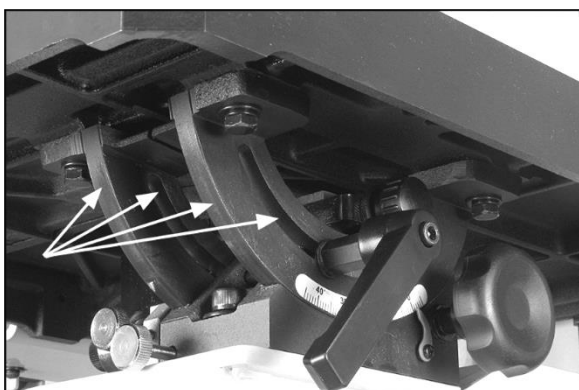


Fig 54

Vers la vis de tension de la lame (Fig 55).

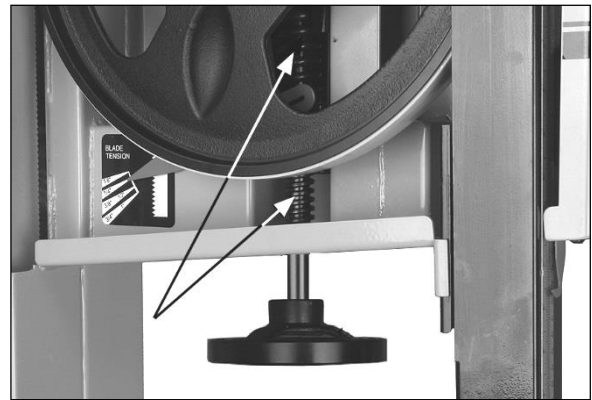


Fig 55

Remarque :

Les paliers sur la scie à ruban sont pré-lubrifiés et hermétiques ; ils ne nécessitent pas d'action supplémentaire.

9. Dépistage de pannes

Le moteur ne démarre pas

- *Pas d'électricité - Contrôlez l'alimentation et le fusible.
- *Commutateur, moteur ou cordon électrique défectueux- Consultez un technicien.
- *Surcharge -Attendez et démarrez de nouveau.
- *Couvercles de roue non fermés-

La machine vibre de manière excessive

- *Positionnement sur un sol irrégulier - Réglez le positionnement sur un sol plan.
- *Poussière sur la roue - Nettoyez les caoutchoucs.
- *La lame de la scie présente des fissures - Remplacez immédiatement la lame de la scie

La coupe n'est pas perpendiculaire

- *Réglage incorrect d'arrêt de la table.
- *Le réglage du guide de la lame est incorrect

Surfaces de coupe incorrectes

- *Lame de scie incorrecte utilisée
- *Amas de résine sur la lame de la scie
- *La lame de la scie est émoussée
- *Le réglage du guide de la lame est incorrect
- *La tension de la lame est trop faible
- *Pièce irrégulière
- *Pression d'avance trop grande- Ne forcez pas sur la pièce.

10. Protection environnementale

Protégez l'environnement.

Votre appareil contient des matériaux précieux pouvant être récupérés ou recyclés. Veuillez les laisser à un institut spécialisé.

11. Accessoires disponibles

Reportez-vous à la liste de prix JET concernant les différentes lames de scie.

12. Fonctionnement correct

Voir l'annexe A (dernières pages de ce manuel de fonctionnement)

A.1 : Réalisation de coupes hautes

A.2.: Réalisation de coupes diagonales

A.3.: Coupe de tenons

A.4.: Coupe de clavettes

A.5.: Coupes courbes

A.6.: Coupes d'arcs

A.7.: Coupe avec règle-guide

A.8.: Coupe circulaire

A8.1 Réglage sans pièce

A8.2 Placement de la pièce

A8.3 Usinage